



GO ECO
ADVENTURER⁵
GLAMPING STOVE



Charlton & Jenrick^{LTD}
Best of British fires, fireplaces & stoves



Introducing the

GO ECO ADVENTURER⁵ GLAMPING STOVE

The ultimate in warmth, character, ambience, practicality and versatility – Adventurer 5 really hits the mark.

A fresh design by an experienced team, this highly specified little stove provides much more than others can – both function and styling. DEFRA exempt for smokeless zones and already approved for use beyond 2022 Ecodesign, standard features include large-size cooking top, multi-fuel equipment, powerful air-washed glass window and durable stainless-steel fittings, trims and fixings. Versatile heat shielding packages (see over) ensure that every application is catered for whilst a host of optional accessories will further personalise it to meet the needs of each individual.

Key Features

- Attractive, characterful design enhances any living space.
- Extra-large air-washed flame-viewing window.
- Standard stainless-steel cooking top accommodates pans up to 28-30cm.
- 86% efficiency, A+ for best in class performance.
- Stainless-steel handle, trims, ashpan and all fixings for durability and long service.
- Separate simple air control sliders for air wash and primary under-grate air.
- Multi-fuel equipped as standard.
- DEFRA exempt for smoke control areas as standard.
- SIA Ecodesign 2022 compliance for future-proof peace of mind.
- Optional oven accepts 22cm casserole or up to 27 x 22cm baking tins.
- Unrivalled heat shielding options for multiple installation configurations.



Go Eco Adventurer 5 Glamping Stove shown with fitted heatshield, marine hearth and right-hand warming shelf in a narrowboat



Go Eco Adventurer 5 Glamping Stove shown with freestanding heatshield, fiddle rail and left-hand warming shelf in a yurt



Go Eco Adventurer 5 Glamping Stove shown with various optional extras



A VERSATILE STOVE WITH COUNTLESS OPTIONS

GO ECO ADVENTURER⁵ with fitted heatshield package

Fitted Heatshield Package

Attached directly to the stove body itself, the Adventurer fitted heatshield package reduces clearance to combustible materials to 70mm at the sides and 75mm at the rear. Convenient, slim and practical, in combination with the marine hearth (see over) the system lends itself to narrowboat applications (BS8511) and other situations where space is at an absolute premium.



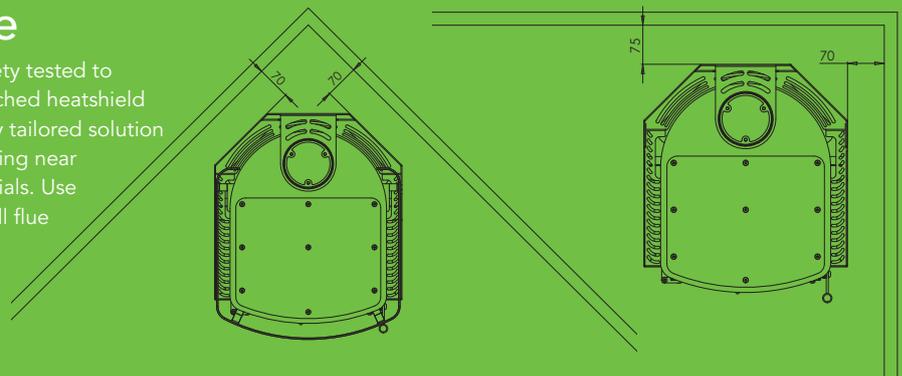
Go Eco Adventurer 5 Glamping Stove shown with fitted heatshield, marine hearth, oven with steel door and right-hand warming shelf in a narrowboat



Fitted heatshield

Safezone

Independently safety tested to EN13240, the attached heatshield package is a tightly tailored solution for simple stove siting near combustible materials. Use supported twin-wall flue above the 100mm connecting section provided.



Go Eco Adventurer 5 Glamping Stove shown with fitted heatshield and various optional extras

GO ECO ADVENTURER⁵ with freestanding heatshield package



Go Eco Adventurer 5 Glamping Stove shown with freestanding heatshield, fiddle rail and left-hand warming shelf in a Yurt

Freestanding Heatshield Package

The Adventurer 5 freestanding heatshield package is designed to provide a complete solution, including hearth, for stable installations into combustible surroundings. The steel sides may be safely sited as close as 50mm to combustible wall materials and the stove firebox simply fixed down to the hearth plate. This system lends itself to camping pods, tents, yurts, cabins and huts of all kinds.





Safezone

A full surround, heatshield and hearth solution, the freestanding heatshield package provides EN13240 independently safety tested combustible materials protection and stability. Use supported twin-wall flue above the 100mm connecting section provided.



Freestanding heatshield



Go Eco Adventurer 5 Glamping Stove shown with freestanding heatshield and various optional extras

Adaptive personalisation of the Adventurer 5 is really easy with our range of specially designed and interchangeable optional accessories:

- Warming shelves are very popular – available for one or both sides of the stove. May also be fitted together with either of the two heatshield packages and all other accessories.
- Our insulated lift-off modular oven comes complete with temperature gauge, handles, two wire shelves and optional glass door. Accepts up to 22cm casserole or 27 x 22cm baking tins.
- Pan and kettle safety retention may be improved by using the solid stainless fiddle rail – compatible with all other accessories.
- For narrowboats and very compact spaces, the BS8511 compliant marine hearth unit is available.
- The tailored log store may be fitted to the base of the stove for added height and convenience.



Go Eco Adventurer 5 Glamping Stove shown with oven with steel door and log store

Warming Shelves

| Accessory Compatibility | Fiddle Rail | Log Store | Side warming Shelf LH | Side Warming Shelf RH | Fitted Heatshield | Freestanding Heatshield | Oven Assembly | Marine Hearth |
|-------------------------|-------------|-----------|-----------------------|-----------------------|-------------------|-------------------------|---------------|---------------|
| Fiddle Rail | Yes | Yes | Yes | Yes | Yes | Yes | Yes | Yes |
| Log Store | Yes | Yes | Yes | Yes | Yes | No | Yes | Yes |
| Side warming Shelf LH | Yes | Yes | Yes | Yes | Yes | Yes | Yes | Yes |
| Side warming Shelf RH | Yes | Yes | Yes | Yes | Yes | Yes | Yes | Yes |
| Fitted Heatshield | Yes | Yes | Yes | Yes | Yes | No | Yes | Yes |
| Freestanding Heatshield | Yes | No | Yes | Yes | No | Yes | Yes | No |
| Oven Assembly | Yes | Yes | Yes | Yes | Yes | Yes | Yes | Yes |
| Marine Hearth | Yes | Yes | Yes | Yes | Yes | No | Yes | Yes |



Left-hand warming shelf



Right-hand warming shelf

Ovens



Oven with glass door



Oven with steel door

Fiddle Rail



Marine Hearth

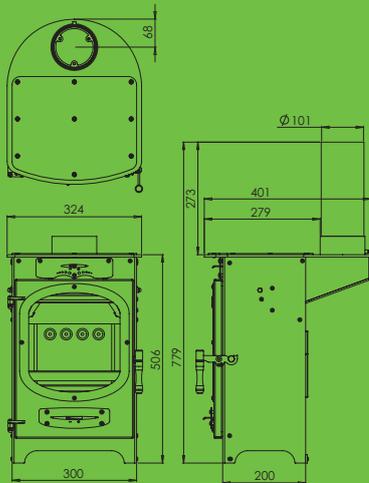


Log store



DIMENSIONS AND SPECIFICATIONS

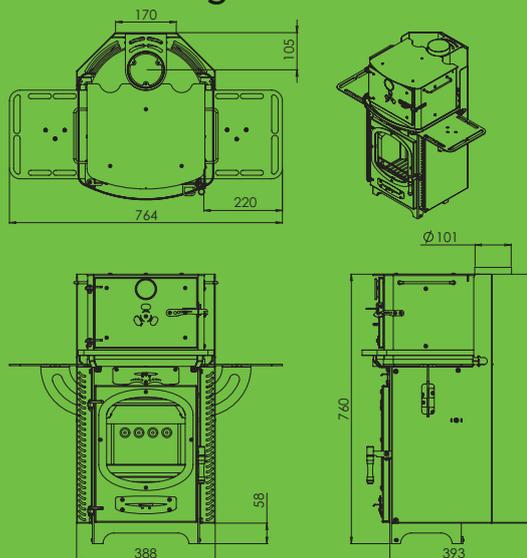
Stove only



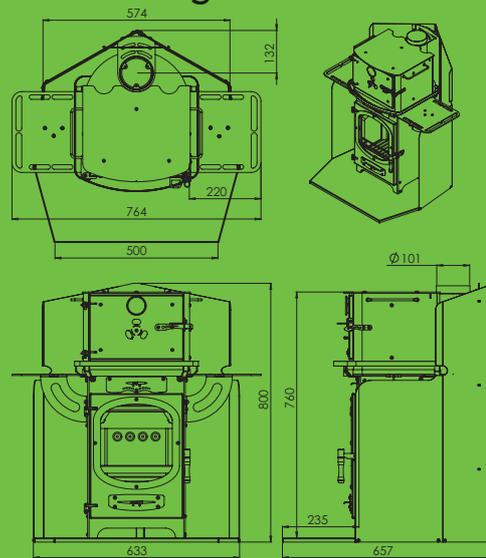
Specifications

| | Fuel Type | |
|----------------------------------|-------------------|---------------------|
| | Wood | Smokeless fuel |
| Nominal Output (kW) | 4.5 | 4.5 |
| Approx output range (kW) | 3.4-5.3 | 3.0-5.0 |
| Weight (Packed/Unpacked) Kg | 58/45 | 58/45 |
| Efficiency | 86% | 80% |
| CE Safety & Performance Standard | EN13240 | EN13240 |
| Cooking – additional standards | BS12815 | BS12815 |
| Emissions – additional standards | Ecodesign 2022 | Ecodesign 2022 |
| Emissions – additional standards | DEFRA exempt | n/a |
| Max log length | 180mm (7") | n/a |
| Recommended fuels | Dry Hardwood Logs | Maxibrite Smokeless |
| Energy Rating | A+ | n/a |

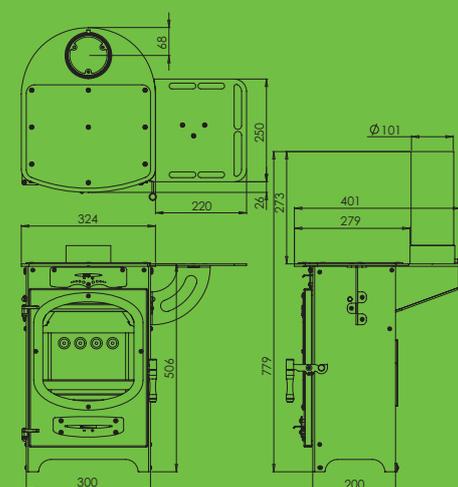
Stove plus fitted heatshield and warming shelves



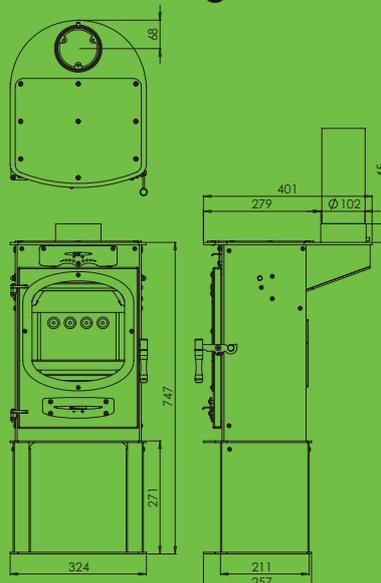
Stove plus freestanding heatshield and warming shelves



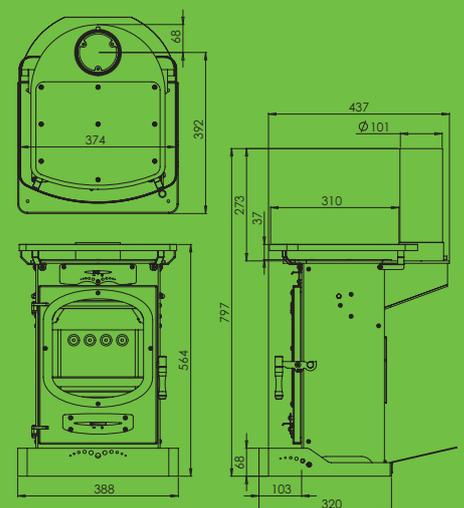
Stove with warming shelves



Stove with log store



Stove with fiddle rail and marine hearth





Charlton & Jenrick^{LTD}

Best of British fires, fireplaces & stoves

Charlton & Jenrick Ltd, Unit D,
Stafford Park 2, Telford, Shropshire TF3 3AR

Tel: 0845 519 5991 Fax: 0845 519 5992

e-mail: sales@charltonandjenrick.co.uk

www.charltonandjenrick.co.uk



CONNECT WITH US:



@cJfires



cJfires



1CJGroup



cJfires



charltonandjenrick