

 INFINITY



The Infinity Range.

Highly efficient glass-fronted gas fires with warmth, infinite style and vision



Charlton & Jenrick^{LTD}

Best of British fires, fireplaces & stoves

Welcome to Infinity Fires

British made for the British market, Infinity Gas Fires have the appearance of Continental fires although they are designed to work in UK households. The Infinity brand of gas fires is part of the **Charlton & Jenrick** group which has been manufacturing and supplying to the fireplace industry since 1986.

The latest range of Infinity Classic and Infinity HD gas fires is the ultimate in realistic-looking gas fires from Charlton & Jenrick.

This latest range of fires builds on the looks and performance of the originals and now offers mains electric power as standard and increased performance in the balanced flue models.

Mains Power

Being mains powered offers a number of advantages over the battery operated versions, most notably no need to be regularly replacing batteries; but the lack of batteries also means reduced metal work at the front of the fire, meaning you see more flame and fuel bed and less metal work framing your fire.

The mains power is provided by a lightweight 9V cable which will easily fit under skirting board or flooring and simply plugs into a standard plug socket. Should there be a power cut to your home, the fire is supplied with a battery pack (batteries not included) that can simply be plugged into the fire's power supply by removing the cable from the transformer (at the plug socket) and connecting to the battery pack instead.

Choice of Logs

Choose from realistic effect *Walnut* or *Silver Birch logs* on your Infinity HD fire and *Realistic Mixed Wood Effect* on the Classics.

Choice of Firebox Liner Options

The Infinity Classic range comes with a choice of four firebox liner types: *Rustic Brick*, *Ribbed Black*, *Beige Vermiculite* and *Black Mirror Glass*.

Please Note: not all fires are available with all liners and some are optional extras; please check with your retail showroom who will be able to give you more detail.

The Infinity HD range featured in this brochure gives you the choice of three firebox liner options. Choose from *Beige Vermiculite*, *Red Brick* or *Black Mirror Glass*.

Please Note: not all fires are available with all liners and some are optional extras; please check with your retail showroom who will be able to give you more detail.

Standard or Reduced (Anti-reflective Glass)

All the Infinity HD gas fires are glass fronted to make them ultra efficient.

You have a choice whether to have the *standard glass* or the optional *Anti-reflective glass*. The reduced reflectivity eliminates the majority of reflection to give the appearance of an 'open' fire without any glass in.

Classic Infinity fires all come with standard glass.

Black Glass Fascia Option

The 480HD, 780HD and 800HD all have the option of a modern stylish black glass fascia for the fires when installed into the wall.



Highly efficient glass-fronted
gas fires with warmth,
infinite style and vision

Welcome...

Contents



 INFINITY
 INFINITY HD



Complete Suite Packages

As well as the stunningly realistic gas fires, we offer them in a range of limestone fireplaces to create the perfect suite. Our designers have worked to create packages that bring out the best in the fire and also save you time and effort in sourcing separately.

There are two types of limestone fireplace that we offer and this may vary depending on model so please speak with your local Infinity retailer who will be able to give you the full options.

Infinity 480HD	12
Infinity 480BF	14
Infinity 600HD	16
Infinity 600BF	18
Infinity 780HD	20
Infinity 780FL	22
Infinity 780BF	24
Infinity 620HD UBL	26
Infinity 890HD	28
Infinity 890BF	30
Infinity 800HD UBL	32
Infinity 800HD UBL BF	34
Dimensions & Specifications	36

The two limestone materials are:

Premium Portuguese Limestone

This is a cleaner whiter Portuguese limestone that has less of the markings of our traditional limestone.

Aegean Limestone

This is a Turkish limestone that is whiter with less marking than the Portuguese limestone.

PLEASE NOTE: these are still natural products so every one will be slightly different and there is a uniqueness to these products. If you are looking for something that is uniform and exactly identical in texture to the one you see in the showroom then limestone is not the material for you. Please speak with your retailer who will be able to explain further.



Infinity features and options at a glance

= HD ONLY OPTIONS

GLASS TYPE



CHIMNEY TYPE



FUEL BED OPTIONS



LINER OPTIONS



FUEL TYPE



FEATURES



Features and options...



Infinity Thermostatic Remote Control

Every fire comes with a thermostatic radio frequency remote control that allows you to set the perfect

temperature for your room and the fire can be set to regulate itself to achieve this.



Infinity firebox liner options

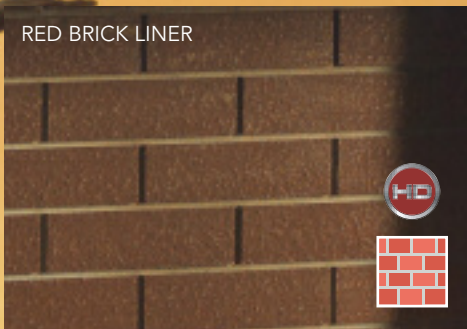
BLACK MIRROR GLASS LINER



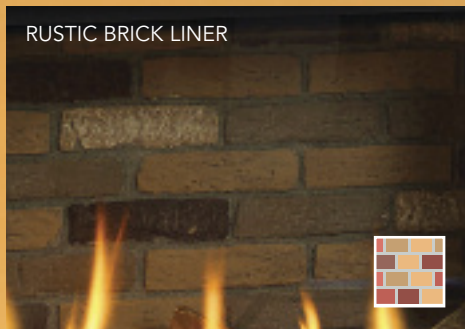
BEIGE VERMICULITE LINER



RED BRICK LINER

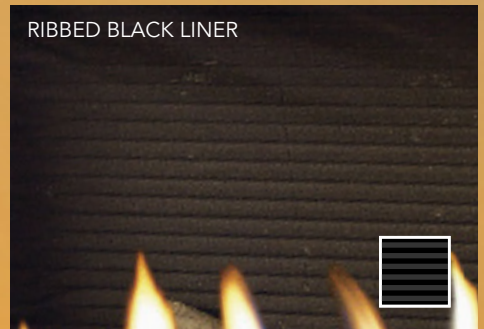


RUSTIC BRICK LINER



DON'T FORGET TO LOOK OUT FOR THE ICONS TO SEE WHAT FEATURES/OPTIONS ARE AVAILABLE ON YOUR CHOSEN MODEL

RIBBED BLACK LINER



Infinity fuel bed options

HD WALNUT LOGS OPTION



HD SILVER BIRCH LOGS OPTION



LOGS OPTION



UBL Infinity Under bed lighting (UBL)

GAS FLAME ONLY



UNDER BED LIGHTING ONLY



GAS FLAME AND UNDER BED LIGHTING



All fires approved to latest efficiency standards for UK inset gas fires.

As part of the continual improvement programme at Charlton & Jenrick, we take pride in innovating & developing our fires, always striving for improvements. Part of this process requires that we test all our gas fires to the current efficiency standards, ensuring our customers always receive up-to-date products.

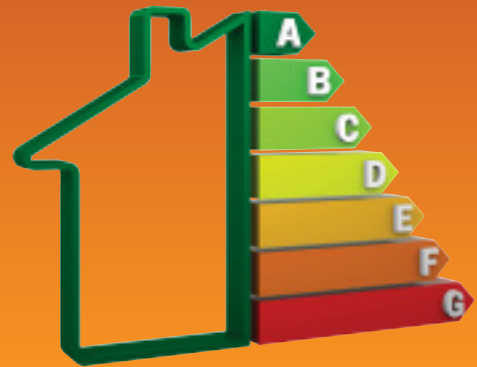
All the open-flue inset fires (glass-front) in this brochure have been independently certified to the efficiency requirements of **BS 7977-1:2009+A1:2013** which came into force in late 2013 and included an amendment that requires all gas fires to be tested without excessive spillage on the efficiency test rig to claim an efficiency. Balanced-flue fires and direct connection open-flue fires are tested to the latest revision of **BSEN613: 2001**.

The efficiencies quoted in this brochure are the Net efficiencies which are usually advertised in marketing literature. A brief explanation is on the following spread and if you wish to see a copy of the standards we use, further details can be found at www.bsigroup.com.

Efficiency standards...

SAP Rating

If you are buying a new home, the SAP rating will be of importance and the efficiency of the fire can either have a positive or negative effect on the rating. If the efficiency is not certified as precisely to the latest standards (detailed left) then it will be included in the calculation at the minimum level for that class of fire, not the one claimed by the manufacturer.



Here at Charlton and Jenrick we constantly strive to maintain a high level of efficiency, with our most efficient fires achieving up to 92% efficiency. EXAMPLE USED: INFINITY 890BF

Net Efficiency v Gross Efficiency

Net efficiency calculations assume that the energy contained in the water vapour which is formed as a product of combustion is recovered in some way, e.g. into the fabric of the building, and is not lost from the flue/chimney. Gross combustion efficiency calculations assume that the energy contained in the water vapour is not recovered and is lost to the outside air. Typically the difference between the value of net combustion efficiency and the value of gross combustion efficiency for a natural gas fire is around 5 to 8 percentage points with the net value being higher than the gross value. Most gas fire manufacturers quote their efficiencies based on the net combustion efficiency, although the gross value is often stated in the installation instructions for Building Regulations purposes.

A silhouette of a person with their arms raised in a 'V' shape, standing against a bright sunset sky with scattered clouds. The person is wearing a long-sleeved top and a skirt or dress.

Efficiency explained...

Energy efficiency for SAP ratings in your home

The latest version of The Building Regulations call upon the mentioned standard efficiency tests in relation to calculating the rating of your gas fire for SAP (Standard Assessment Procedure) purposes. If your fire has not been approved to the correct standards then an accurate calculation cannot be made and a nominal low standard figure from the SAP guide will be used instead. For more details please visit www.gov.uk/standard-assessment-procedure.

When considering your purchase of a gas fire it is important to ensure you are comparing like for like. If unsure, it is always worth confirming with the staff in the showroom you are using, or the manufacturer of the fire, that the appliance has been tested to the very latest version of BS7977 i.e. including +A1: 2013.

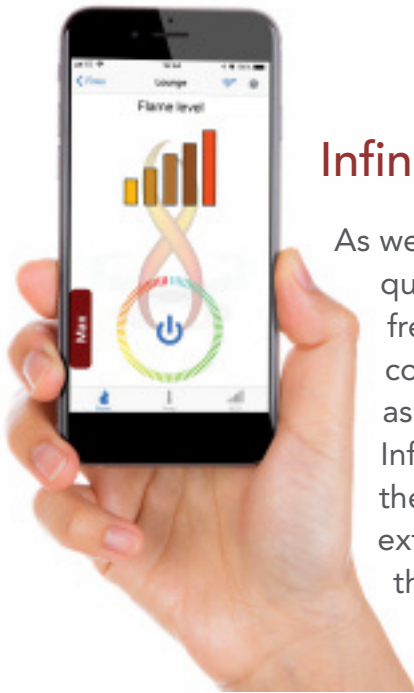
Tested and approved with guaranteed quality

Every Infinity fire is designed to the highest standards using only the finest materials, as well as being tested and approved to European standards, meaning we can be confident about every fire we make. So confident, in fact, each fire comes with a 5-year parts warranty.*

*Subject to terms and conditions which you will find on our website.



All Infinity gas fires are manufactured under a BS EN ISO 9001 quality system (registration number 5195), which covers all areas of product design, development, manufacture and service.



Infinity Smart Control Remote App

As well as the high-quality radio frequency remote control that comes as standard with all Infinity HD gas fires, there is the optional extra of controlling the fires using your phone or tablet.

Once installed on your phone or tablet, the Infinity Smart Control Remote App acts as a remote control and connects via your WiFi internet router or can connect directly using WiFi to the fire.

Using the App in FLAME mode you can manually control the fire by lighting it and operating the fire flames (and therefore the heat output) from low to high in five stages. This intuitive design allows you to easily scroll and set the flames to your desired level.

The App monitors the ambient room temperature so you always have the current status and can easily control the fire accordingly.

Alternatively you can use the TEMP STAT feature which allows you to set the preferred ambient temperature for the room and the fire will automatically adjust between the five output settings to keep the room at your desired level (the App will refresh and analyse the ambient room temperature every minute and adjust accordingly).

Illustrating C&J's commitment to the environment and long-term approach to the gas fire market, an important enhancement to the new Infinity HD range is its bespoke Smart App control featuring an all-new Eco mode. Designed to provide the triple benefits of economy, reduced CO₂ emissions and the extra viewing interest of flame modulation, the Eco setting feature consumes 16% less fuel on average than the permanent maximum mode.

The major benefits to the user are that the attractive flames can be enjoyed to the full, reaching maximum height on a programmed cycle every 100 seconds, whilst simultaneously reducing the possibility of overheating the living space and associated overuse of fuel. The bespoke computerised control achieves energy savings by electronically adjusting the gas flow to the burners every 10 seconds on a rolling cycle basis to vary flame height and gas consumption.



Smart control remote app...

LOOK OUT FOR
THIS ICON FOR
FIRES THAT WORK
WITH THE SMART
CONTROL REMOTE APP



Smart controls are becoming part of the everyday operational enhancement of appliances and together with the user convenience of remote control will provide economy of fuel consumption and reduced environmental impact whilst retaining the visual and aesthetic pleasure of a highly attractive living flame heating unit.



Infinity 480HD



Infinity 480HD with Red Brick Liners and Silver Birch Logs options shown in Stokesay Surround

Infinity 480HD with Beige Vermiculite Liners and Walnut Logs options, fitted as a hole-in-the-wall fire with Black Granite Slips

Firebed options:



Walnut Logs option shown with Beige Vermiculite Liners

Silver Birch Logs option shown with Red Brick Liners

The size of the 480HD means that it will fit in most fireplaces and as such makes this a very versatile fire. Although the smallest in the Infinity HD range, this fire still packs the same power, performance and features normally associated with larger fires.

Features/Options





Infinity 480HD with Black Mirror Glass Liners and Silver Birch Logs options shown in Beckford Surround

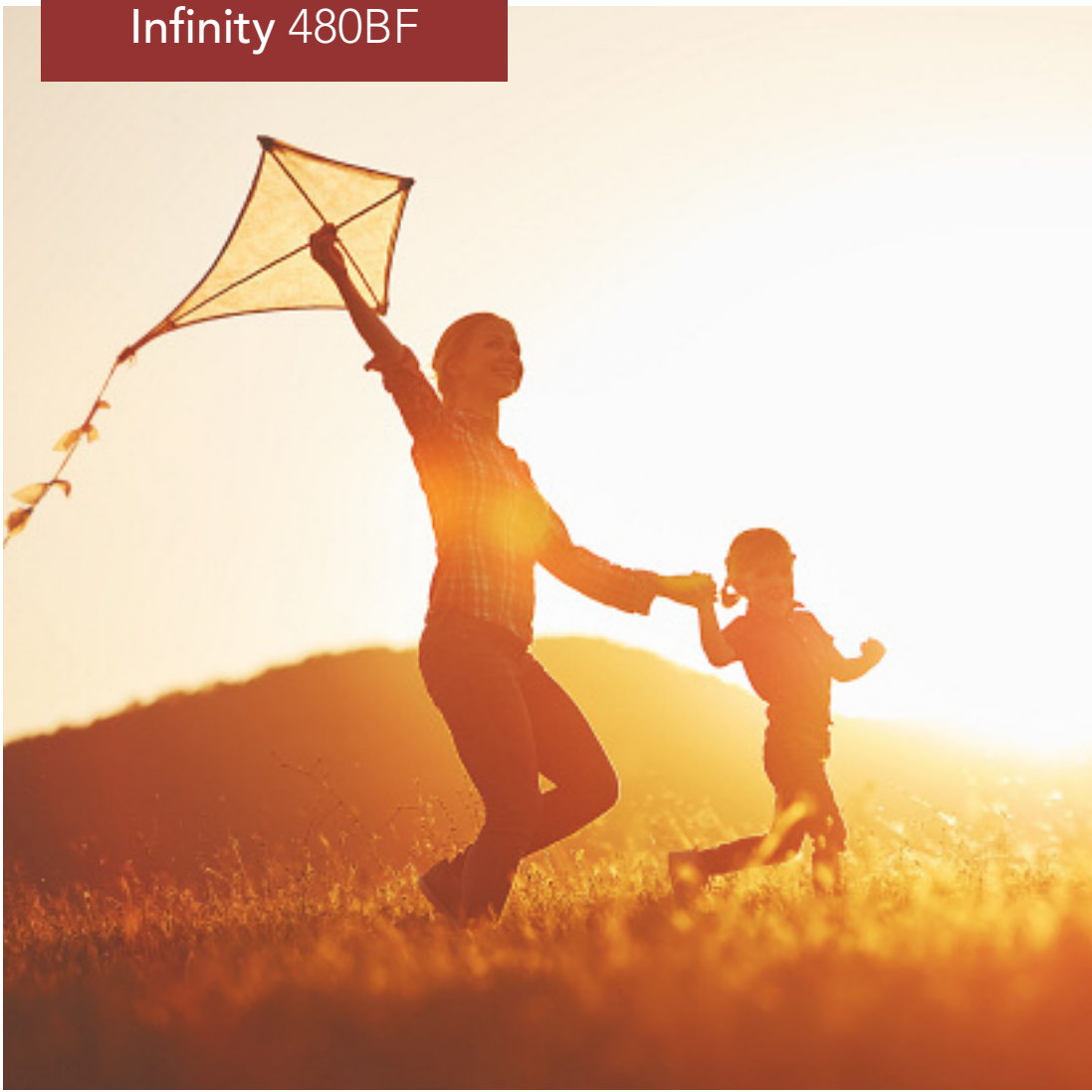
Product highlights

- Fits a Class 1 or Class 2 chimney.
- Ideal size for many fireplace surrounds.
- Can also be fitted as a hole-in-the-wall either flush or with slips.
- Optional black glass fascia is available for hole-in-the-wall installations.
- Choice of three firebox liners: Beige Vermiculite, Red Brick or Black Mirror Glass.

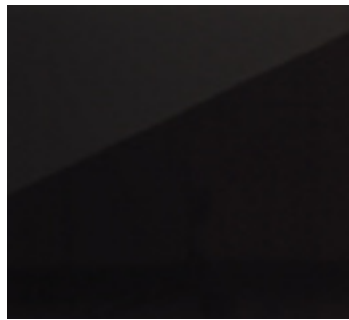
INFINITY HD

- Mains-powered radio frequency remote control for ease of use.
- Available with anti-reflective viewing glass as an optional extra. This reduces the majority of reflection and gives the fire an 'open' effect.
- Optional 5" direct connection liner adapter available.

Infinity 480BF



Rustic Brick Liners



Black Mirror Glass Liners



Beige Vermiculite Liners

No flue no problem. The rear-venting flue enables the installation to be clean and neat on an outside wall. In many cases this removes the need for additional building work and false chimney breasts. This makes this fire extremely versatile and due to its size the fire will fit into the majority of fireplace surrounds popular in the UK.

The 480BF has been upgraded and now comes with low-voltage mains power as standard. The fire now benefits from improved heat output thanks to the new snorkel flue developed for the fire.

Features/Options





Infinity 480BF with Black Mirror Glass Liners in Aylesbury Premium Limestone Surround



Infinity 480BF with Rustic Brick Liners in Stokesay Suite

Product highlights

- Slim Firebox design. This allows the fire to be installed within a standard cavity wall space and again removes the need for false chimney breasts and additional building work.
- Glass-fronted high-efficiency fire that is up to 86% efficient.

Infinity 600HD



Infinity 600HD hole-in-the-wall fire with Vermiculite Liners and Walnut Logs fuel bed shown in Graphite Trim



Infinity 600HD with Black Mirror Glass Liners and Silver Birch Logs fuel bed shown in Brushed Stainless Steel Trim



Walnut Logs option



Silver Birch Logs option

Available trims:



Brushed Stainless Steel Flat Trim



Piano Black Flat Trim



Graphite Flat Trim

The 600HD maintains the stunning looks of the 890HD landscape design but in a more compact package which will fit in the smallest UK chimney catchment spaces. The new fire benefits from bespoke, realistic high-definition log shapes and improved ember base plus a sparkling ember glow which is visible even when the fire is set to the low gas input setting.

The gas operation offers five levels of flame effect with a maximum input rate of 5.2 kW producing a very impressive 3.7 kW output, giving it an economical 79.5% efficiency.

Flexibility of the 600HD is also impressive, offering the options of fitting trimless or with a four-sided trim option, of which there are up to three different trim colours and designs to blend into any room. Alternatively you can fit the fire within a fireplace having a 2" to 3" rebated surround to produce a stunning focal point to any living area.

Features/Options





Infinity 600HD with Red Brick Liners and Walnut Logs fuel bed shown in Low Edgemond Suite

Product highlights

- Fits a Class 1 or Class 2 chimney.
- Choice of Beige Vermiculite, Red Brick or Black Mirror Glass internal firebox liners.
- Mains power via a safe 9V low-voltage plug-in transformer as standard. Backup battery option in the case of mains power outage.
- Radio frequency remote control which provides full operation of the fire from the comfort of your chair.
- Programmable thermostatic room temperature control and optional day timer setting as standard.
- Available with anti-reflective glass as an optional extra. This reduces the majority of reflection and gives the fire an 'open' effect.
- Optional Infinity Smart Control Remote App for tablet or smart phone control.
- Optional 5" direct connection liner adapter available.
- Optional Fireplace and trimless frame Kit.
- Three four-sided frame designs.

 **INFINITY HD**

Infinity 600BF

No flue no problem. The rear-venting flue enables the installation to be clean and neat on an outside wall. In many cases this removes the need for additional building work and false chimney breasts.

Product highlights

- Slim Firebox design. This allows the fire to be installed within a standard cavity wall space and again removes the need for false chimney breasts and additional building work.
- Glass-fronted high-efficiency fire that is up to 86% efficient.

Available trims:



Brushed Stainless Steel Flat Trim

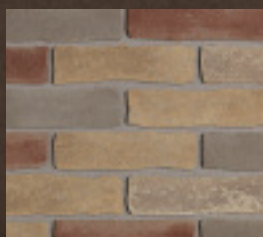


Piano Black Flat Trim

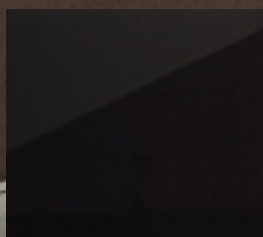


Graphite Flat Trim

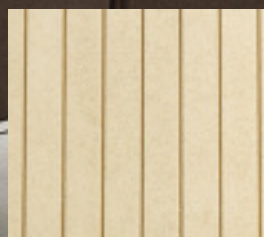
Available liners:



Rustic Brick Liners



Black Mirror Glass Liners



Beige Vermiculite Liners



Ribbed Black Liner

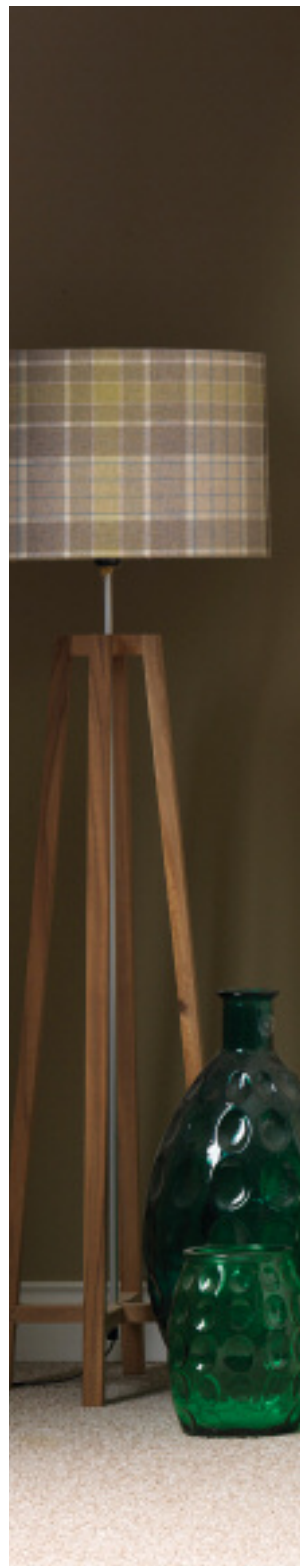
Features/Options





Infinity 600BF with Black Ribbed Liners and Walnut Logs fuel bed shown in Graphite Flat Trim

Infinity 780HD



Walnut Logs option

Silver Birch Logs option

A great size fire for low and wide fireplaces or to install as a hole-in-the-wall fire. The fire benefits from bespoke, realistic high-definition log shapes and improved ember base plus a sparkling ember glow which is visible even when the fire is set to the low gas input setting.

The gas operation offers five levels of flame effect with a maximum input rate of 6.6 kW.

Features/Options





Infinity 780HD with Black Mirror Glass Liners and Silver Birch Logs fuel bed shown in Wave Surround

Product highlights

- Fits a Class 1 or Class 2 chimney.
- Can also be fitted as a hole-in-the-wall either flush or with slips.
- Optional black glass fascia is available for hole-in-the-wall installations.
- Choice of three firebox liners: Beige Vermiculite, Red Brick or Black Mirror Glass.
- Mains-powered radio frequency remote control for ease of use.
- Available with anti-reflective viewing glass as an optional extra. This reduces the majority of reflection and gives the fire an 'open' effect.
- Optional 5" direct connection liner adapter available.

 **INFINITY HD**

Infinity 780FL



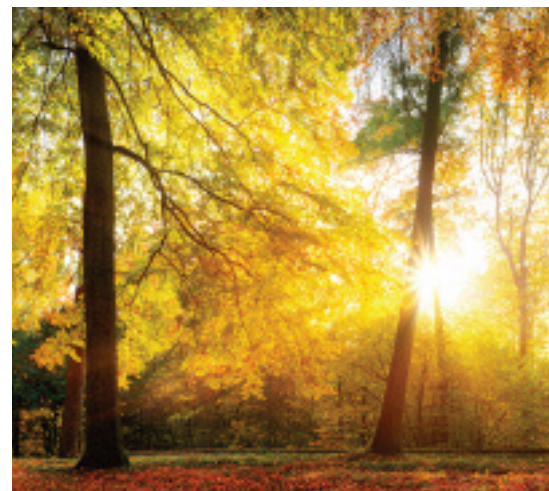
Infinity 780FL with Black Mirror Glass Liners and Log Fuel Bed fitted as a hole-in-the-wall fire



Log Fuel Bed



Black Mirror Glass Liners



A large hole-in-the-wall gas fire that offers a stunning centrepiece to your room. The 780FL is an extremely popular gas fire due to the dimensions which offer a wider fire than the norm. This fire set the trend for luxury gas fires of these proportions, so much so that you will now see imitation products appear on the market. The original and still the best, the 780FL is a beautiful fire for any living room.

Features/Options





Infinity 780FL with Black Mirror Glass Liners and Logs Fuel Bed shown in Edgemond Premium Limestone Surround



Product highlights

- Fits a Class 1 or Class 2 chimney.
- Can be fitted 'frameless' in the wall for the ultra modern look or it can be incorporated into a fireplace to create a suite.
- Black Mirror Glass Liners.
- Designed to give a realistic flame picture from a modest 6.6kW input, which usually means no additional ventilation in the room.
- Fits most chimneys and 5" flues so will fit into existing fireplace openings.
- Glass-fronted high-efficiency fire that is up to 81% efficient.

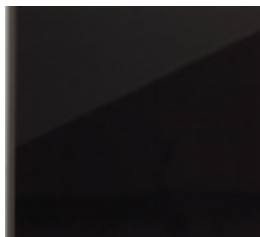
Infinity 780BF



Available liners:



Rustic Brick Liners



Black Mirror Glass Liners



Beige Vermiculite Liners

No flue no problem. The rear-venting flue enables the installation to be clean and neat on an outside wall. In many cases this removes the need for additional building work and false chimney breasts.

Features/Options





Infinity 780BF with Black Mirror Glass Liners and Logs Fuel Bed shown in Rembrandt Suite

Product highlights

- Slim Firebox design. This allows the fire to be installed within a standard cavity wall space and again removes the need for false chimney breasts and additional building work.
- Same look fireplace suites available. The 780BF is the balanced-flue version of the 780FL on the previous page, so even if you don't have a chimney, you can still choose the 780 fire. The balanced-flue version fits with all the same fireplaces as the 780FL, giving you an impressive range of suites.
- Glass-fronted high-efficiency fire that is up to 87% efficient.

Infinity 620HD UBL



Infinity 620HD UBL with Black Mirror Glass Liners and Silver Birch Logs fuel bed shown in Wenlock Suite



Infinity 620HD UBL with Red Brick Liners and Walnut Logs fuel bed shown in Aylesbury Suite

Firebed options:



Underbed lighting only



Walnut Logs option



Silver Birch Logs option

Features/Options



The 620HD UBL utilises the latest Charlton & Jenrick raised burner technology with the addition of a unique under bed lighting system and has resulted in the most realistic wood-burning effect gas fire to date from Infinity.

The under bed lighting can be used separately from the gas to provide a burning ember bed look with gently flickering lights to give that warm and cosy focal point in your lounge even if heat from the fire is not required. The fuel bed lighting system can also be used in conjunction with the powerful gas flames for the ultimate realistic wood-burning effect. Gas operation offers five levels of flame height with a maximum input rate of 6.5kW, which in turn produces a very impressive 4.8kW output at an efficiency of 82.8%.

Specifically designed and tailored to fit the vast majority of fireplaces within UK homes.

The all-new 620HD UBL also comes with all the features and benefits of the Infinity High Definition (HD) range.

WILL FIT INTO A 32" STANDARD BUILDERS OPENING



Infinity 620HD UBL with Vermiculite Liners and Walnut Logs fuel bed shown in Shawbury Suite

Product highlights

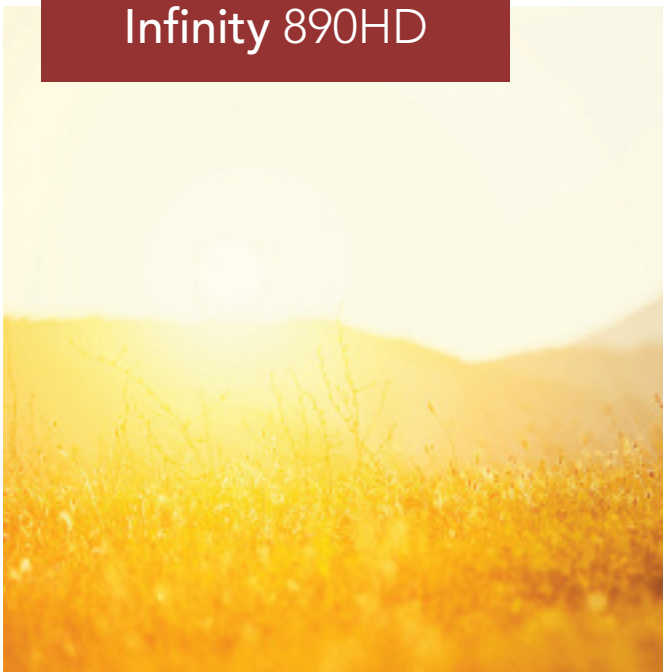
- Fits a Class 1 or Class 2 chimney and will fit into 32" (812mm) standard builder's opening without the need for additional building work.
- Choice of Beige Vermiculite, Red Brick or Black Mirror Glass firebox liners.
- Mains power via a safe 9V low-voltage plug-in transformer as standard. Backup battery option in the case of mains power outage.
- Programmable thermostat room control and optional day timer setting as standard.
- Radio frequency remote control which allows full operation of both flames and UBL ember/flicker effects from the comfort of your chair.
- Available with anti-reflective glass as an optional extra. This reduces the majority of reflection and gives the fire an 'open' effect.

 **INFINITY HD**

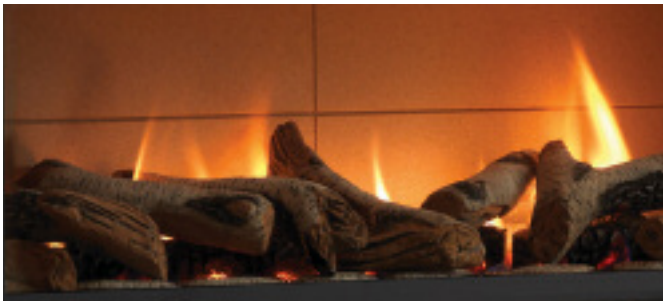
Scan QR code to view the Infinity 620HD UBL video on YouTube ▶



Infinity 890HD



Infinity 890HD with Black Mirror Glass Liners and Silver Birch Logs fuel bed shown with Limestone Slips



Walnut Logs option



Silver Birch Logs option

Available trims:



Brushed Stainless Steel Flat Trim



Piano Black Flat Trim



Graphite Flat Trim



Elite Fascia Trim

A stunning landscape hole-in-the-wall fire. Ideally proportioned, the 890HD is the perfect size hole-in-the-wall fire that can be fitted with the optional trims offered, frameless in the wall or with slips as shown above.

Like the other HD fires in the range, the 780HD can be controlled using the Infinity Smart App. Once installed on your phone or tablet, the Infinity Smart Control Remote App acts as a remote control and connects via your WiFi internet router or can connect directly using WiFi to the fire.

Features/Options





Infinity 890HD with Vermiculite Liners and Silver Birch Logs fuel bed shown in Graphite Flat Trim

Product highlights

- Fits a Class 1 or Class 2 chimney.
- Can also be fitted as a fire into a wide fireplace to create a suite.
- Gives the option to fit flush into the wall or with slips depending on the look you are after.
- Choice of three firebox liners: Beige Vermiculite, Red Brick or Black Mirror Glass.
- Mains-powered radio frequency remote control for ease of use.
- Available with anti-reflective glass as an optional extra. This reduces the majority of reflection and gives the fire an 'open' effect.
- Choice of either Walnut or Silver Birch effect logs.

 **INFINITY HD**

Infinity 890BF

No flue no problem. The rear-venting flue enables the installation to be clean and neat on an outside cavity wall. In many cases it does not involve additional building work.

Product highlights

- Landscape hole-in-the-wall fire for homes without a chimney. This fire uses a balanced-flue which makes the fire available to those who don't have a chimney.
- A choice of different trims to finish the look of your fire. The trims are finished in a choice of Brushed Stainless Steel, Piano Black, Satin (Elite) or Graphite Grey.
- Glass-fronted high-efficiency fire that is up to 92% efficient.
- Designed to give a realistic flame picture from the modest 3.4kW input, which means lower running costs than larger gas input alternatives.

Available trims:



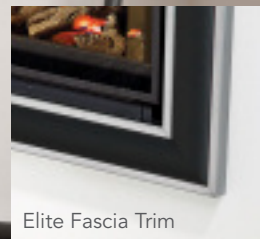
Brushed Stainless Steel Flat Trim



Piano Black Flat Trim

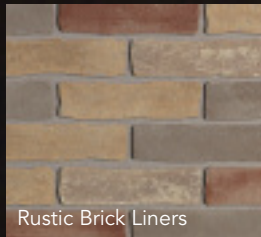


Graphite Flat Trim

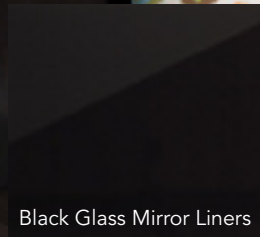


Elite Fascia Trim

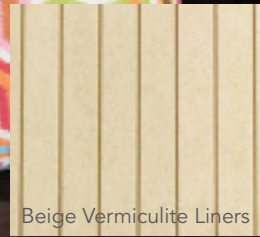
Available liners:



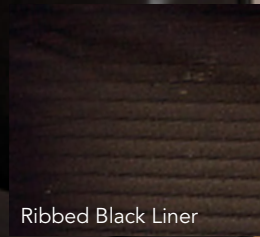
Rustic Brick Liners



Black Glass Mirror Liners



Beige Vermiculite Liners



Ribbed Black Liner

Features/Options





Infinity 890BF with Rustic Brick Liners and Piano Black Trim

Infinity 800HD UBL



Infinity 800HD UBL showing gas flame only



Infinity 800HD UBL showing under bed lighting only



Infinity 800HD UBL showing gas flame and under bed lighting



Infinity 800HD UBL with Black Mirror Glass Liners and Walnut Logs options shown in Balmoral Surround

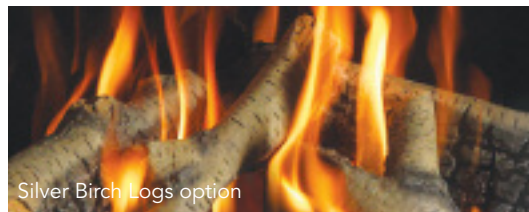


Infinity 800HD UBL with Red Brick Liners and Walnut Logs options shown in Stapleton Surround

Firebed options



Walnut Logs option



Silver Birch Logs option

Features/Options



Under Bed Lighting

Utilising the latest Charlton & Jenrick raised burner technology with the addition of a unique under bed lighting system has resulted in the most realistic wood-burning effect gas fire to date from Infinity.

The under bed lighting can be used separately from the gas to offer a burning ember bed look with flickering lights to give that warm and cosy focal point in your lounge even if heat from the fire is not required.

The fuel bed lighting system can also be used in conjunction with the powerful gas flames for the ultimate realistic wood-burning effect. Gas operation offers five levels of flame effect with a maximum input rate of 7.7kW, which in turn produces a very impressive 5.6kW output at an efficiency of 81%.

The all-new 800HD UBL also comes with all the features and benefits of the Infinity High Definition (HD) range launched last autumn.

NO ADDITIONAL
VENTILATION REQUIRED



Infinity 800HD UBL with Vermiculite Liners and Walnut Logs options shown in Balmoral Surround

Product highlights

- Fits a Class 1 or Class 2 chimney and will fit into 32" and 36" standard chimney breast without the need for additional building work.
- Choice of Beige Vermiculite, Red Brick or Black Mirror Glass internal firebox liners.
- Plug-in transformer power as standard. Backup battery option in the case of mains power outage.
- Optional black glass fascia available for hole-in-the-wall.

INFINITY HD

- Radio frequency remote control which allows full operation from the comfort of your chair of both flames and UBL ember/flicker effects.
- Programmable thermostat room control and optional day timer setting as standard.
- Available with anti-reflective glass as an optional extra. This reduces the majority of reflection and gives the fire an 'open' effect.

Scan QR code to view the Infinity 800HD UBL video on YouTube ▶



Infinity 800HD UBL BF



Infinity 800HD UBL BF with Black Glass Liners



Infinity 800HD UBL BF showing under bed lighting only



Features/Options



Using the latest raised burner technology with the addition of under bed lighting makes this the largest and most realistic fire in the range.

The rear-vented snorkel balanced-flue system enables the installation to be clean and neat on an outside wall. In many cases this removes the need for additional building work and a false chimney breast.

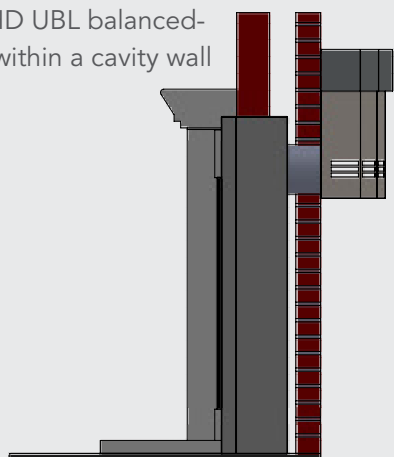
This new fire produces outstanding heat output, efficiency and performance when required but with the additional option of an ember or flicker light option when ambience is required without the heat.

The gas operation has five levels of flame effect with a maximum input of 7.2kw. This produces a very impressive 5.5kw output and 85% efficiency.



Infinity 800HD UBL BF with Black Mirror Glass Liners and Walnut Logs options shown in Condover Surround

800HD UBL balanced-flue within a cavity wall



INFINITY HD

Product highlights

- Choice of Beige Vermiculite, Red Brick or Black Mirror Glass internal firebox liners.
- Mains power via a safe 9V low-voltage plug-in transformer as standard. Backup battery option in the case of mains power outage.
- Programmable thermostat room control and optional day timer setting as standard.
- Anti-reflective glass as standard.

Gas type, heat inputs, outputs, efficiency and chimney type

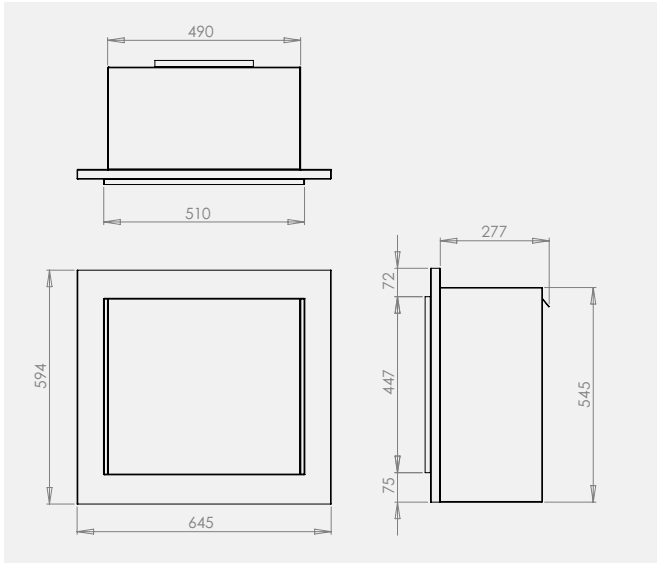
MODEL	CHIMNEY TYPE	INPUTS, OUTPUTS & EFFICIENCY							FIREPLACE OPENINGS:					
		GAS TYPE	INPUT HIGH (kW)	OUTPUT HIGH (kW)	NET EFFICIENCY (%)	INPUT LOW (kW)	EFFICIENCY CLASS	ENERGY CLASS	VISIBLE DIMENSIONS W X H (mm)	HEIGHT MIN (mm)	HEIGHT MAX (mm)	WIDTH MIN (mm)	WIDTH MAX (mm)	DEPTH MIN (mm)
480HD	Class 1 & 2	NG	6.6	4.58	81	3.4	1	C	509 x 448	560	580	500	570	330
	Class 1 & 2	LPG	4.4	3.3	84	3.3	1	C	509 x 448	560	580	500	570	330
480BF	Balanced Flue	NG	4.2	3.13	82.5	2.4	1	C	441 x 569	650	N/A	560	575	170
	Balanced Flue	LPG	2.6	2.1	86	1.6	1	C	441 x 569	650	N/A	560	575	170
600HD	Class 1 & 2	NG	5.2	3.7	79.5	3.2	1	D	617 x 337	420	440	615	687	330
	Class 1 & 2	LPG	4.3	2.9	76	2.9	2	D	617 x 337	420	440	615	687	330
600BF	Balanced Flue	NG	2.6	2.3	90	1.5	1	B	657 x 356	460	N/A	660	N/A	170
	Balanced Flue	LPG	2.6	2.3	90	1.5	1	B	657 x 356	460	N/A	660	N/A	170
780HD	Class 1 & 2	NG	6.6	4.85	81	3.0	1	D	786 x 503	635	620	800	880	330
	Class 1 & 2	LPG	6.1	3.9	70.6	3.3	2	D	786 x 503	635	620	800	880	330
780FL	Class 1 & 2	NG	6.6	4.8	81	3.0	1	D	828 x 429	610	640	800	850	330
780BF	Balanced Flue	NG	5.1	3.87	84.2	2.4	1	C	786 x 503	750	N/A	855	N/A	170
	Balanced Flue	LPG	3.2	2.0	87	1.6	1	C	786 x 503	750	N/A	855	N/A	170
620HD UBL	Class 1 & 2	NG	6.5	4.8	82.8	4.0	1	C	623 x 621	735	770	605	740	330
	Class 1 & 2	LPG	6.1	4.5	82.7	4.3	1	C	623 x 621	735	770	605	740	330
890HD	Class 1 & 2	NG	6.6	4.85	82	4.3	1	C	911 x 339	425	445	910	990	330
	Class 1 & 2	LPG	5.2	4.5	83.2	3.9	1	C	911 x 339	425	445	910	990	330
890BF	Balanced Flue	NG	3.4	2.8	92	1.6	1	B	850 x 270	430	445	900	935	170
	Balanced Flue	LPG	3.2	2.8	92	1.6	1	B	850 x 270	430	445	900	935	170
800HD UBL	Class 1 & 2	NG	7.7	5.6	81	4.7	1	C	790 x 700	820	840	795	860	330
	Class 1 & 2	LPG	7.1	5.9	84.4	5.7	1	C	790 x 700	820	840	795	860	330
800HD UBL BF	Balanced Flue	NG	7.2	5.5	85	3.8	1	B	674 x 562	1025	N/A	820	890	170

Please note: Our policy is one of constant development and improvement. We therefore reserve the right to revise the specification and design of our fires without formal notice. This leaflet is presented as a guide to aid in your decision and does not replace the need for technical assessment by your dealer. While the utmost care was taken in the preparation of this brochure, it is not intended to replace the installation manual which provides more detailed information. Photography is for illustration purposes only and does not replace the need to see the fires in a showroom. We accept no liability for any loss or damage arising either directly or indirectly from the use of this brochure. **All designs in this brochure are design or copyright registered. Infinity, without exception, will take action against any infringements of its designs.**

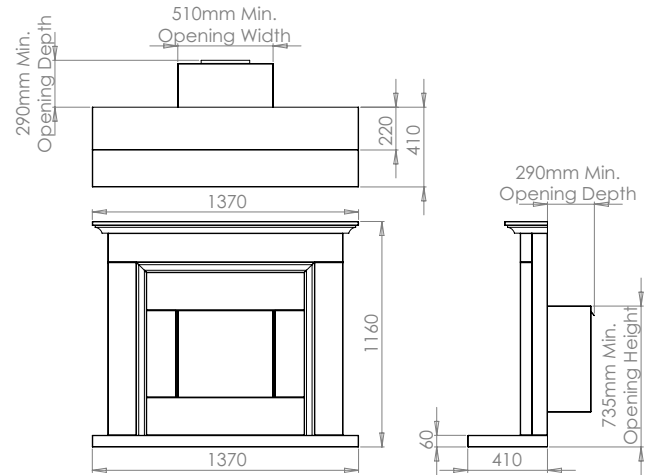
Options

MODEL	GLASS TYPE (HE = HIGH EFFICIENCY)	LINER OPTIONS					REMOTE OPTIONS		FUEL BED OPTIONS				TRIM OPTIONS (FOR HOLE-IN-THE-WALL FITTINGS)				
		RED BRICK	RUSTIC BRICK	BLACK MIRROR	BEIGE VERMICULITE	RIBBED BLACK	SMART REMOTE COMPATIBLE	HAND REMOTE	LOG	SILVER BIRCH LOG	WALNUT LOG	UNDER BED LIGHTING	BRUSHED STAINLESS STEEL TRIM	PIANO BLACK FLAT TRIM	GRAPHITE FLAT TRIM	SATIN ELITE TRIM	BLACK GLASS FASCIA OPTION
480HD	ANTI-REFLECTIVE HE GLASS	•		•	•		•	•		•	•						•
480BF	HE GLASS		•	•	•			•									
600HD	ANTI-REFLECTIVE HE GLASS	•		•	•		•	•		•	•		•	•	•		
600BF	HE GLASS		•	•	•	•		•		•			•	•	•		
780HD	ANTI-REFLECTIVE HE GLASS	•		•	•		•	•		•	•						•
780FL	HE GLASS			•				•		•							
780BF	HE GLASS		•	•	•			•		•							
620HD UBL	ANTI-REFLECTIVE HE GLASS	•		•	•			•		•	•	•					
890HD	ANTI-REFLECTIVE HE GLASS	•		•	•		•	•		•	•		•	•	•	•	
890BF	HE GLASS		•	•	•	•		•		•			•	•	•	•	
800HD UBL	ANTI-REFLECTIVE HE GLASS	•		•	•			•		•	•	•					•
800HD UBL BF	ANTI-REFLECTIVE HE GLASS	•		•	•			•		•	•	•					

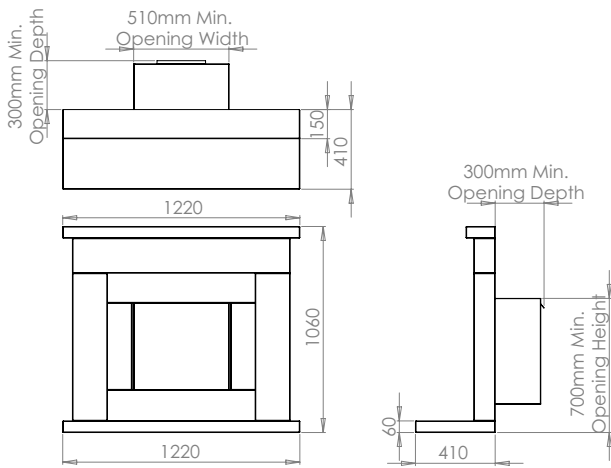
Infinity 480HD



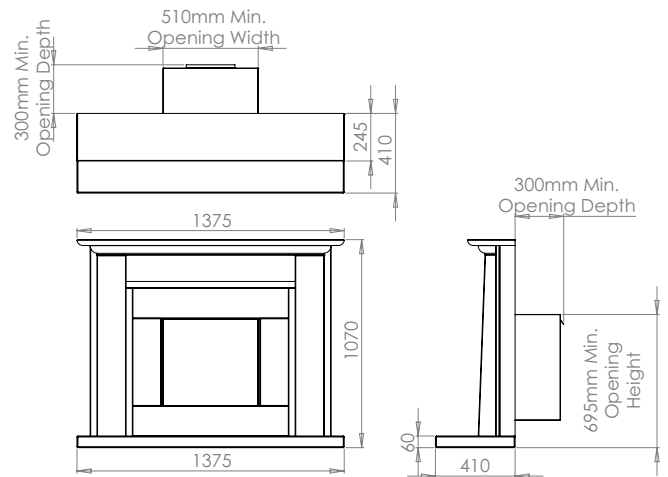
Aylesbury Surround



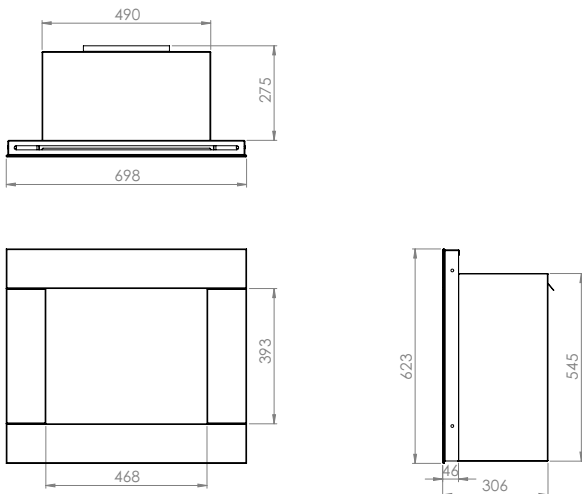
Beckford Surround



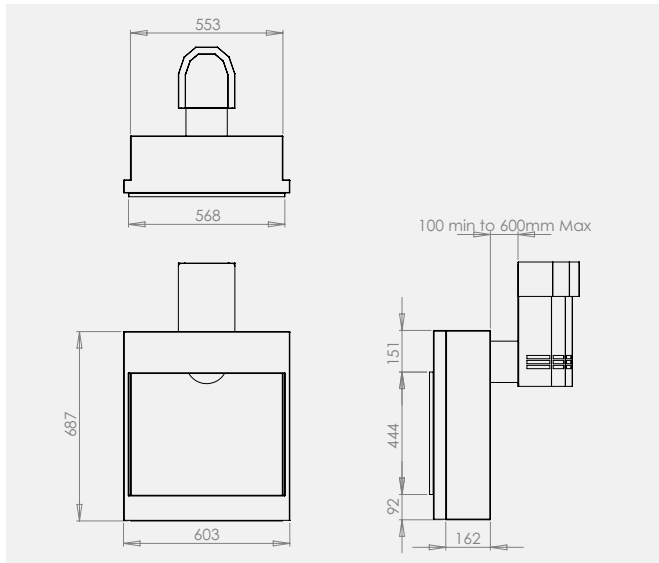
Stokesay Surround



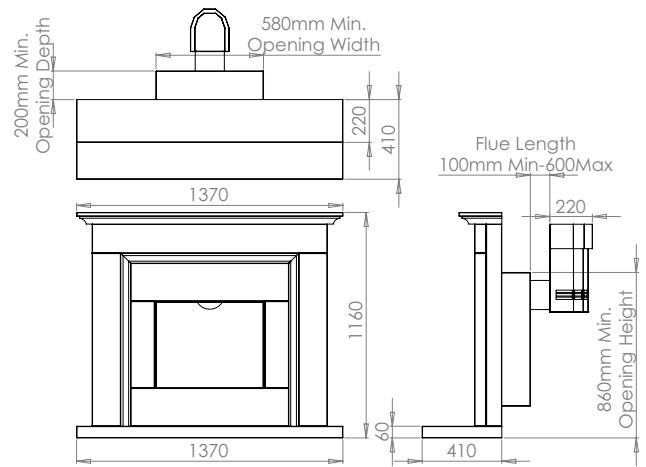
Glass Fascia



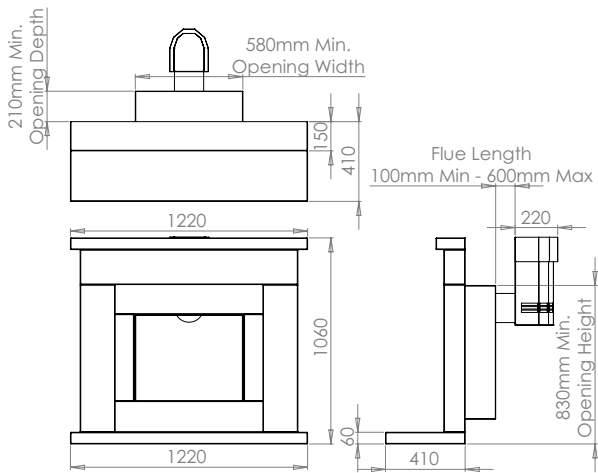
Infinity 480BF



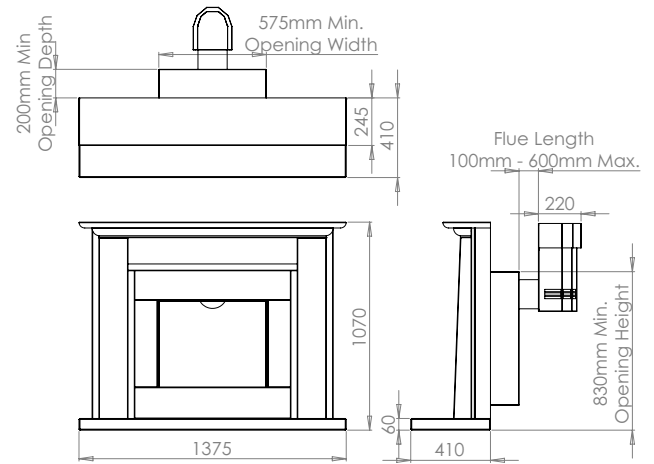
Aylesbury Surround



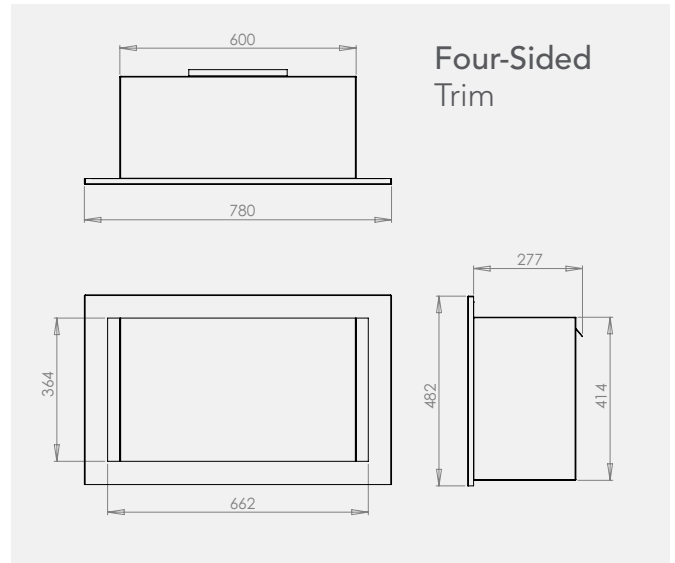
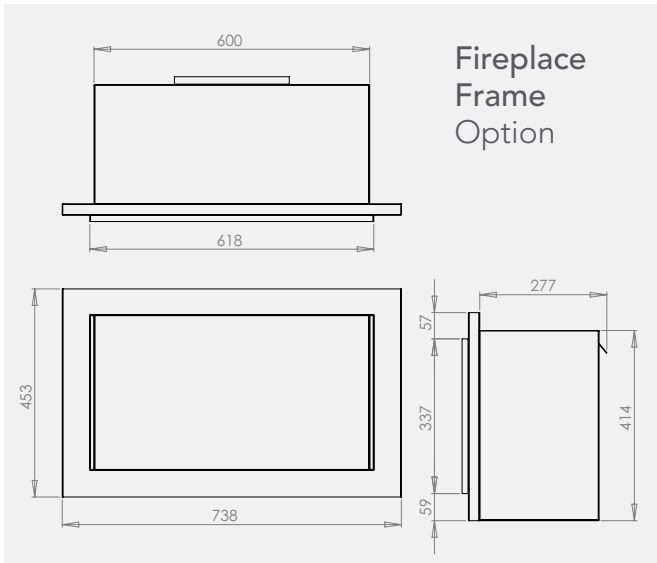
Beckford Surround



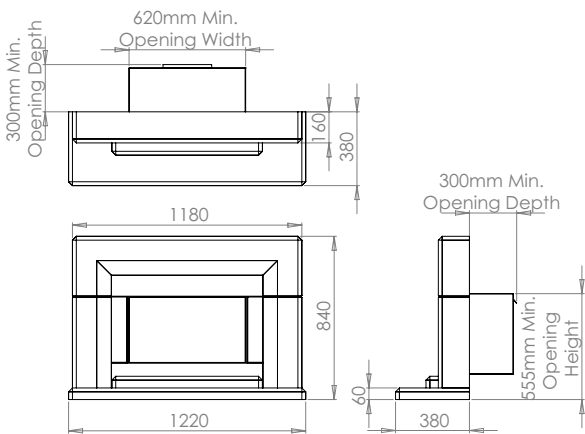
Stokesay Surround



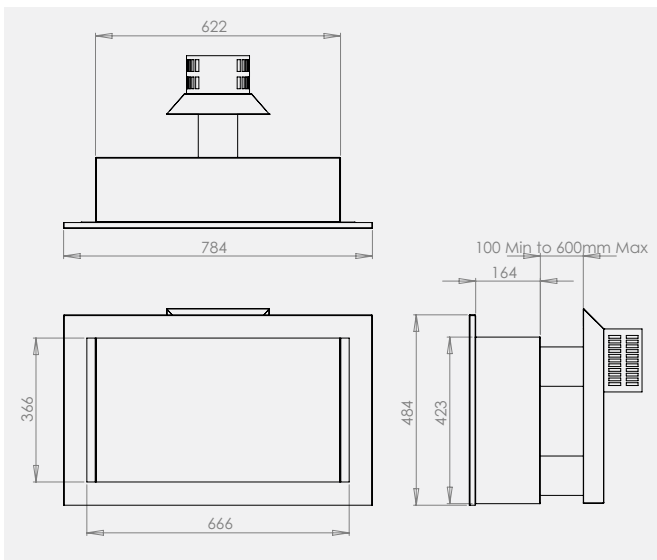
Infinity 600HD



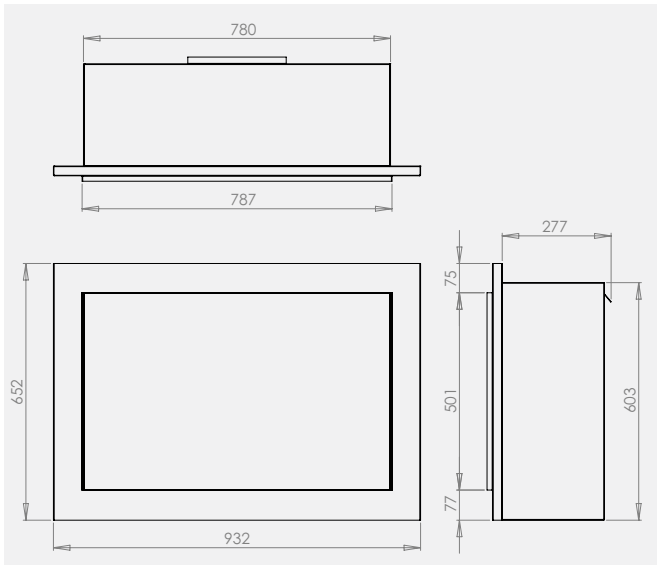
Edgemond Surround



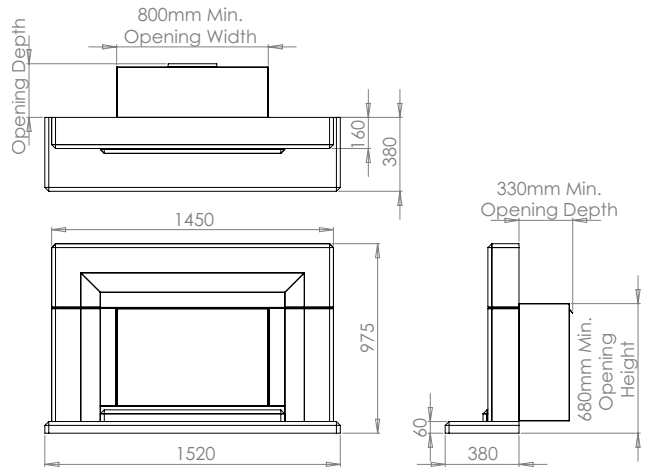
Infinity 600BF



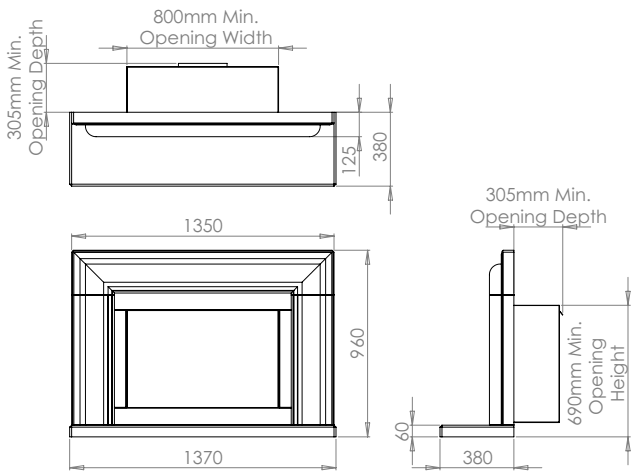
Infinity 780HD



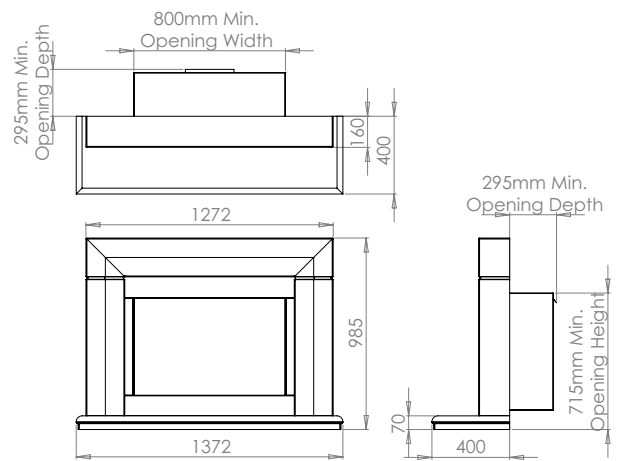
Edgmond Surround



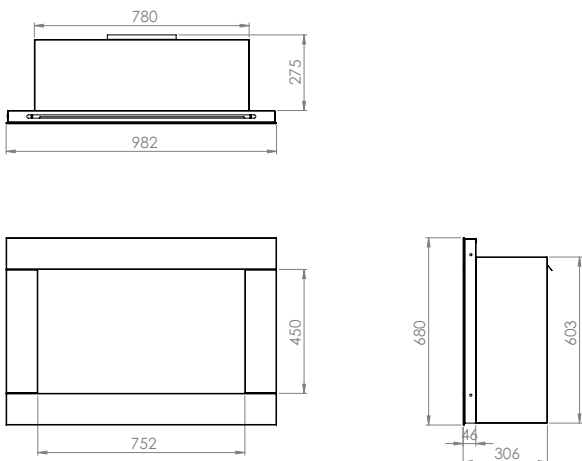
Rembrandt Surround



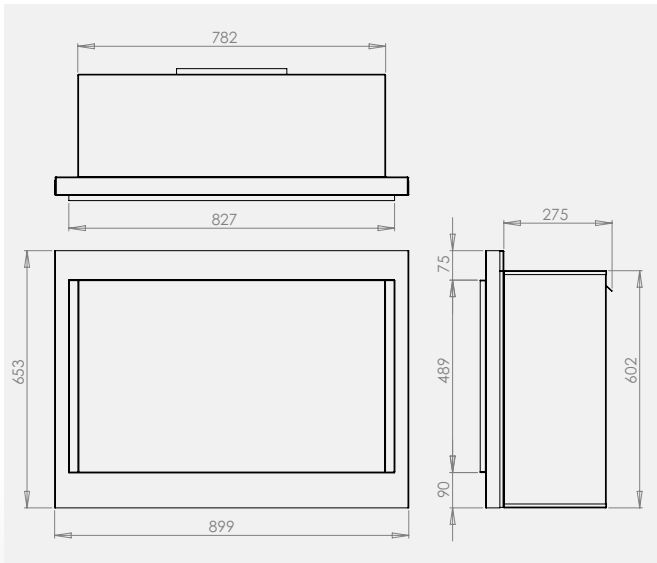
Wave Surround



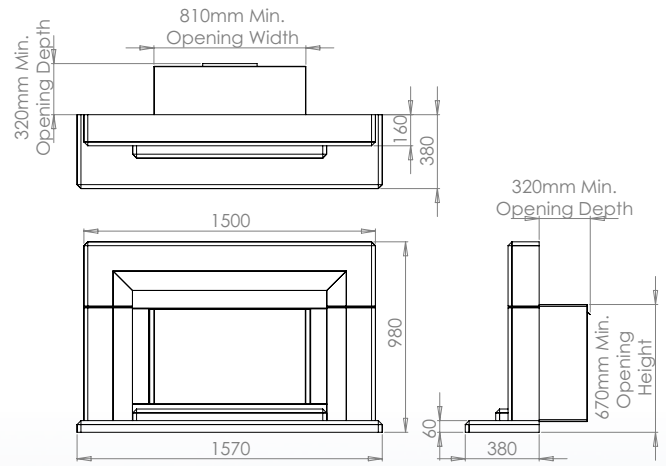
Glass Fascia



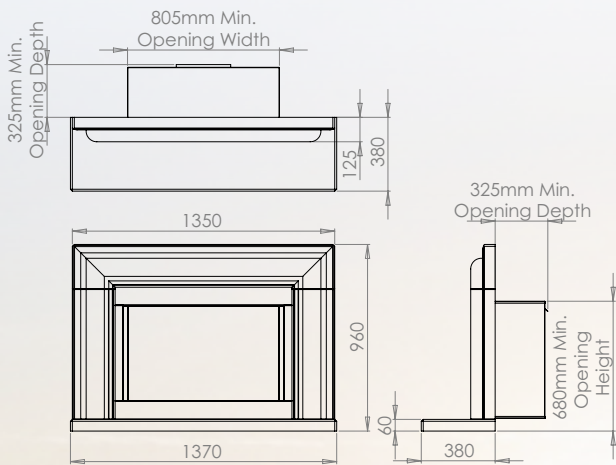
Infinity 780FL



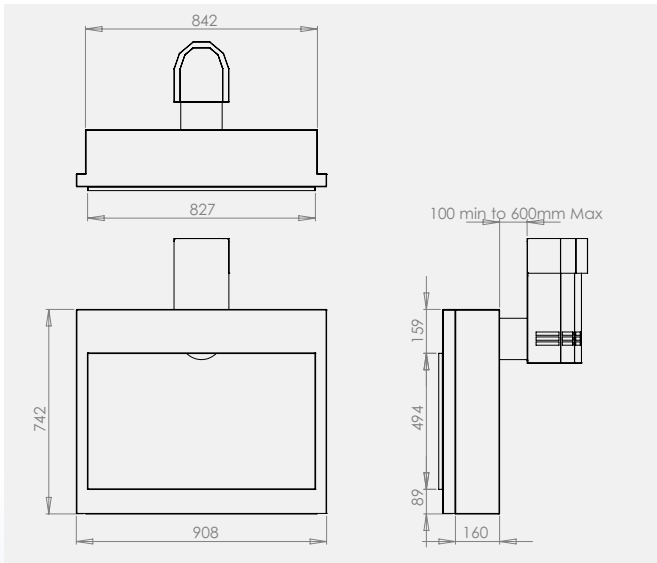
Edgmond Surround



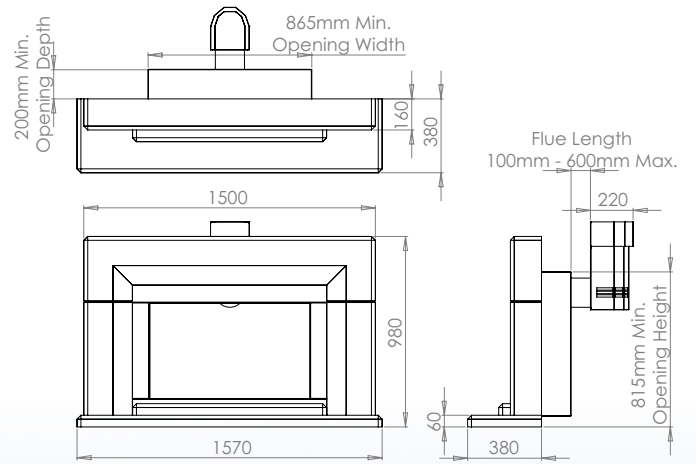
Rembrandt Surround



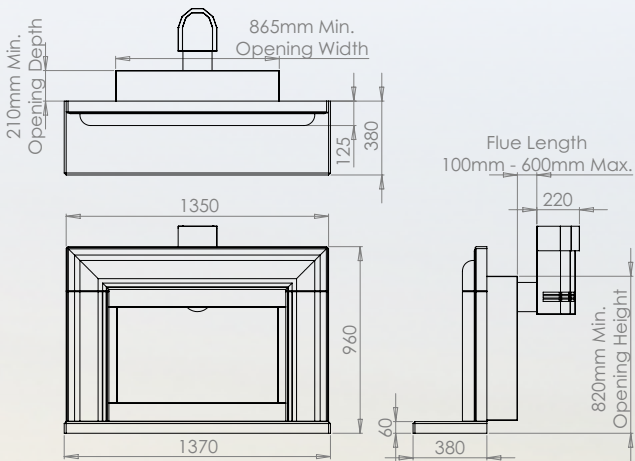
Infinity 780BF



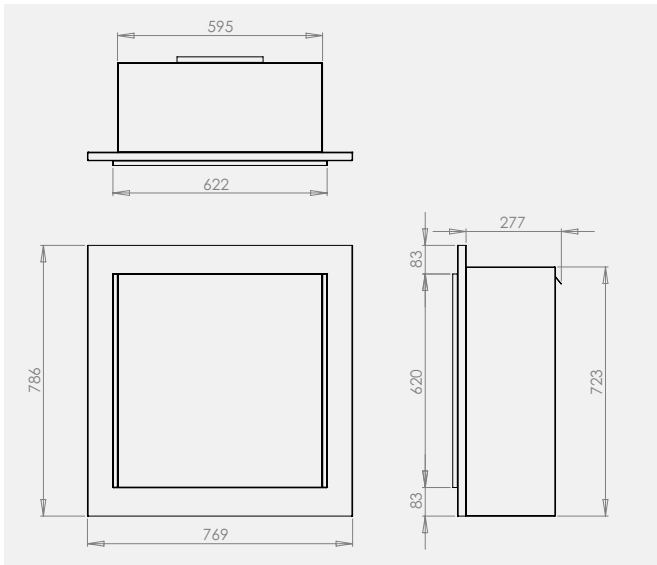
Edgemoor Surround



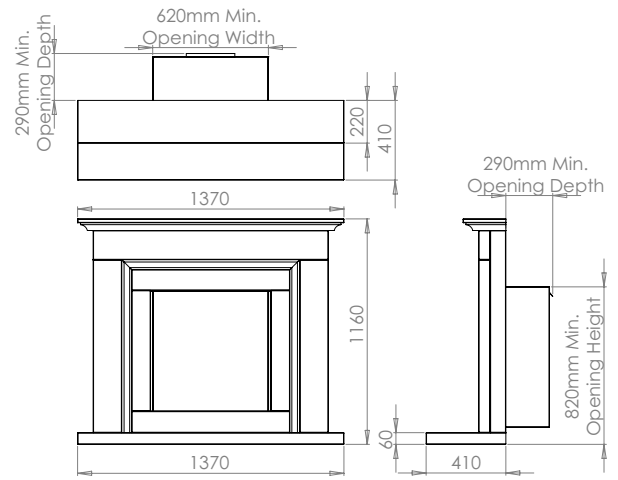
Rembrandt Surround



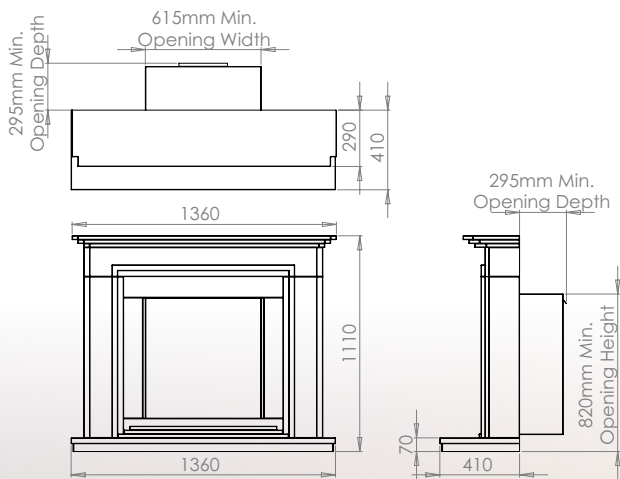
Infinity 620HD UBL



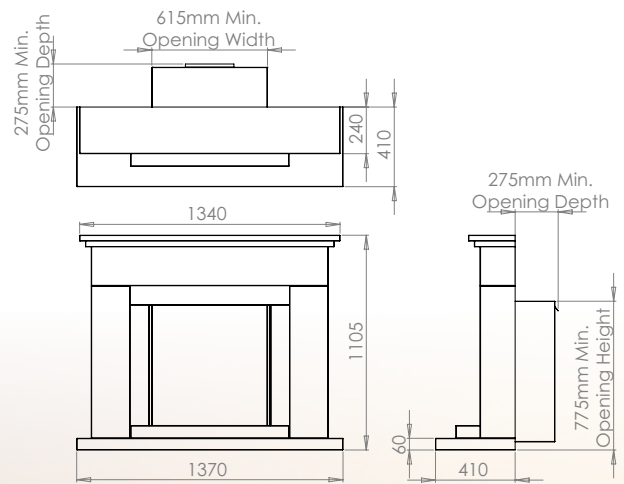
Aylesbury Surround



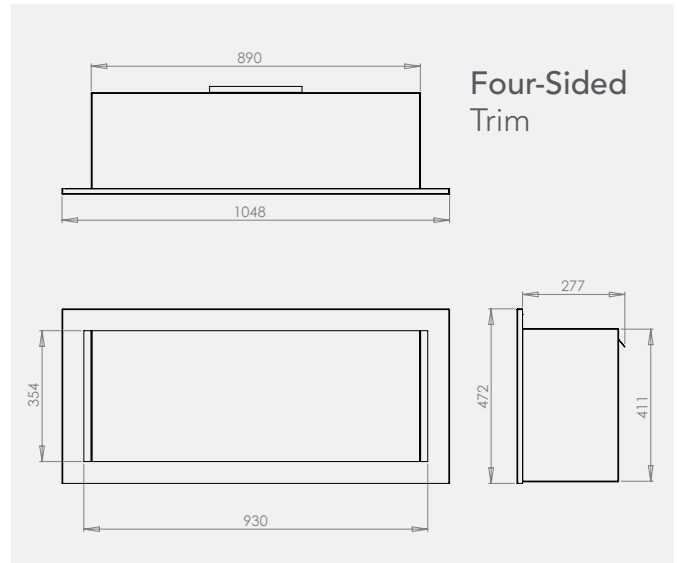
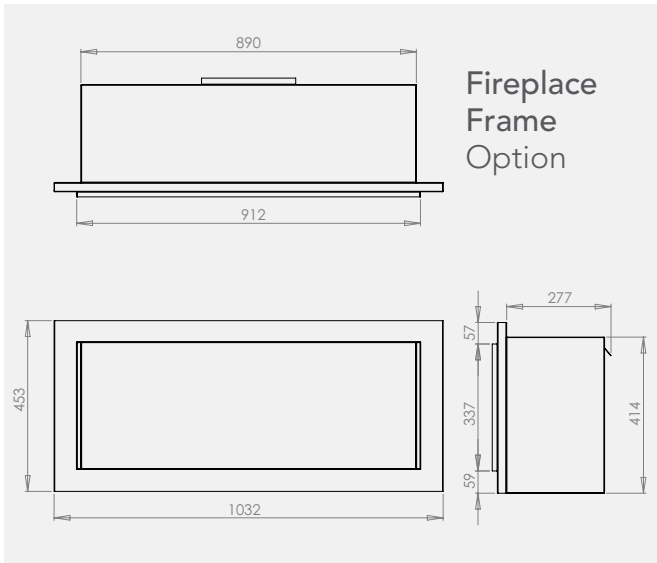
Shawbury Surround



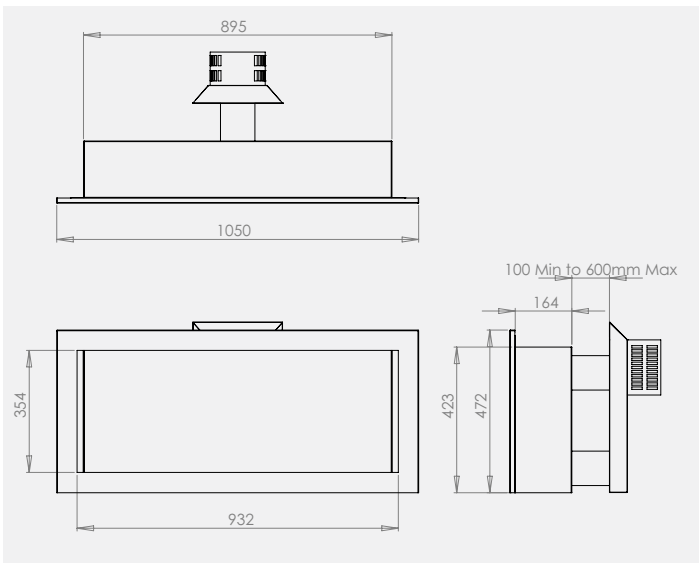
Wenlock Surround



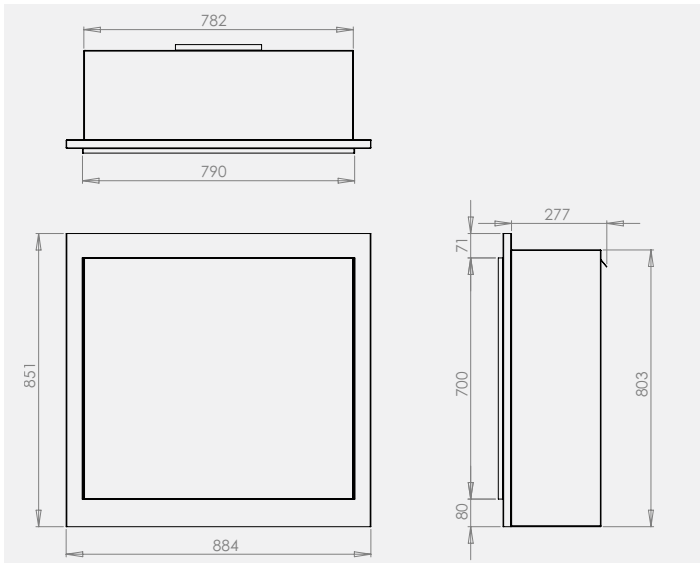
Infinity 890HD



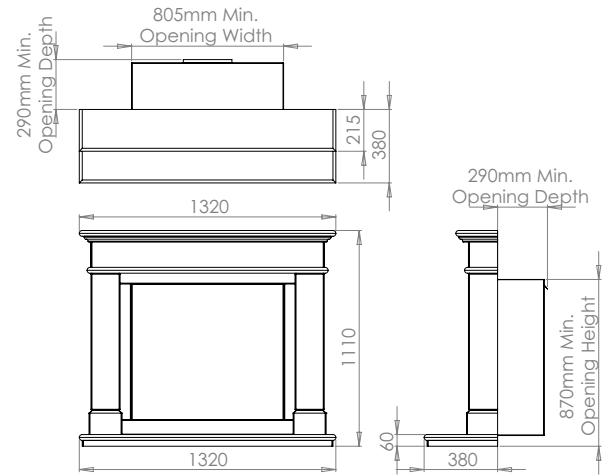
Infinity 890BF



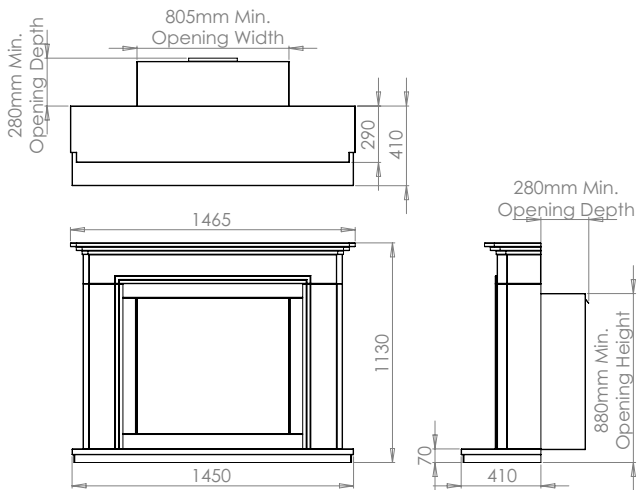
Infinity 800HD UBL (Under Bed Lighting)



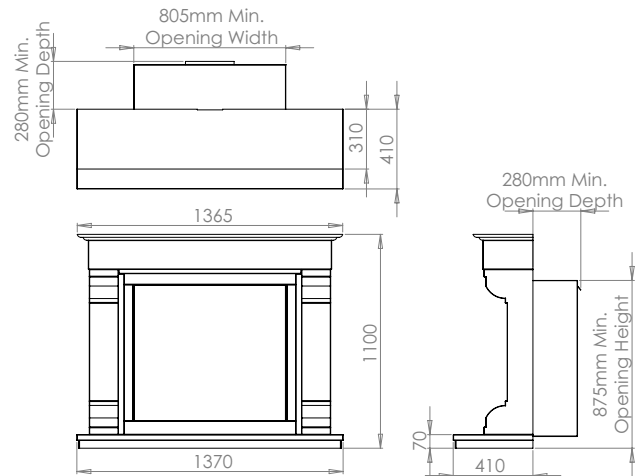
Balmoral Surround



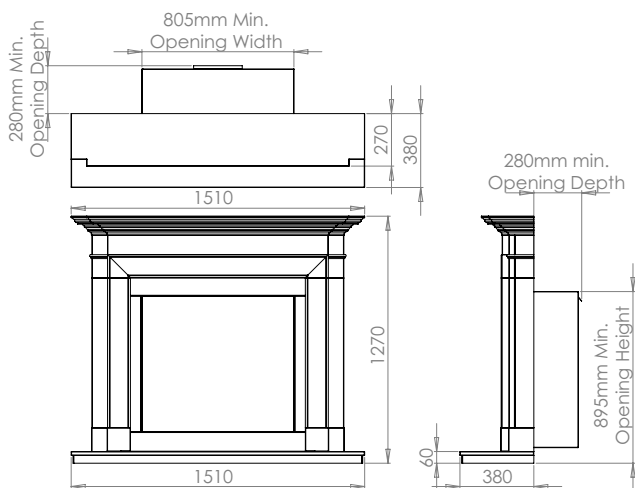
Condover Surround



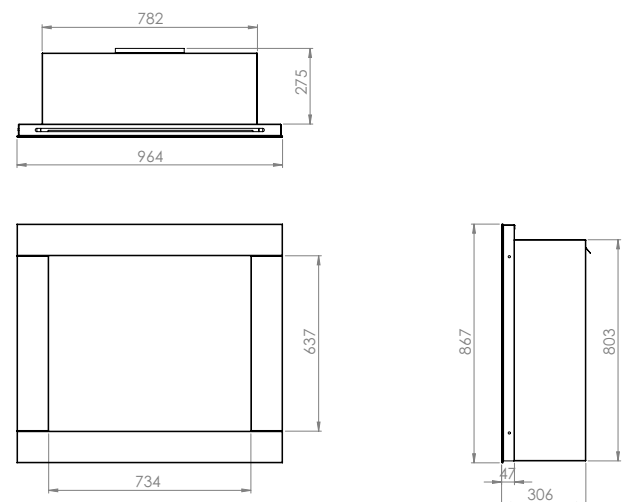
Pontesbury Surround



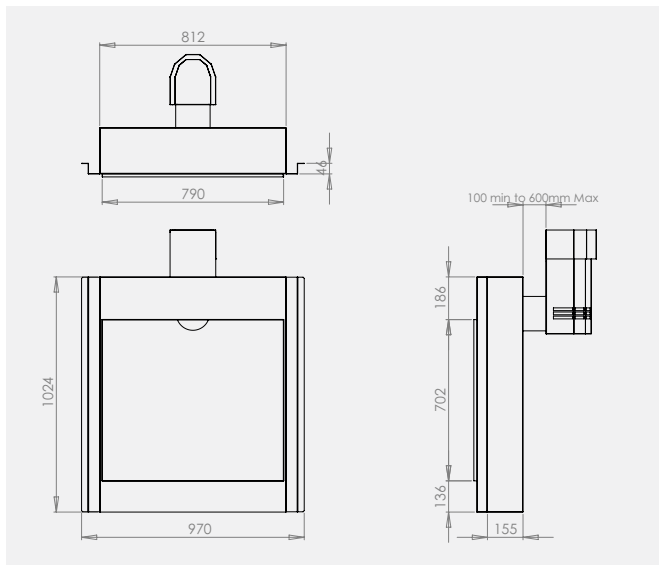
Stapleton Surround



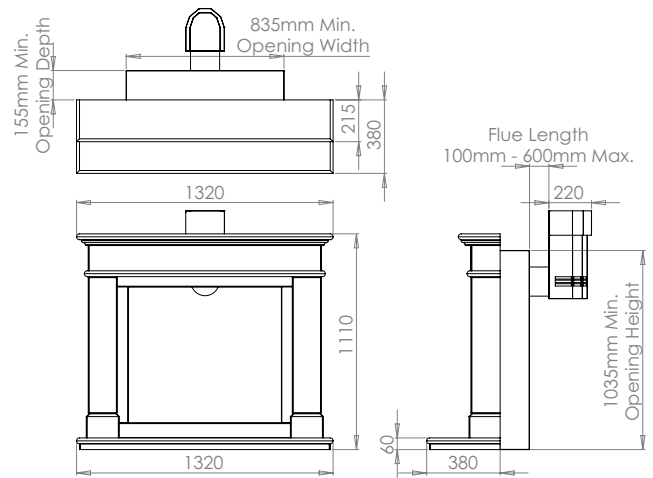
Glass Fascia



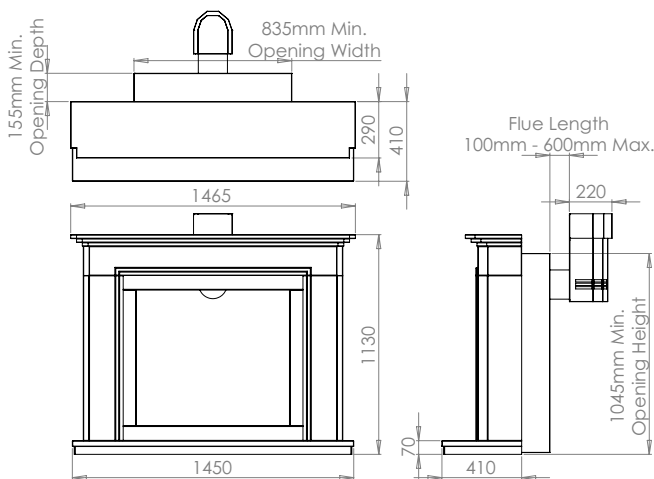
Infinity 800HD UBL BF



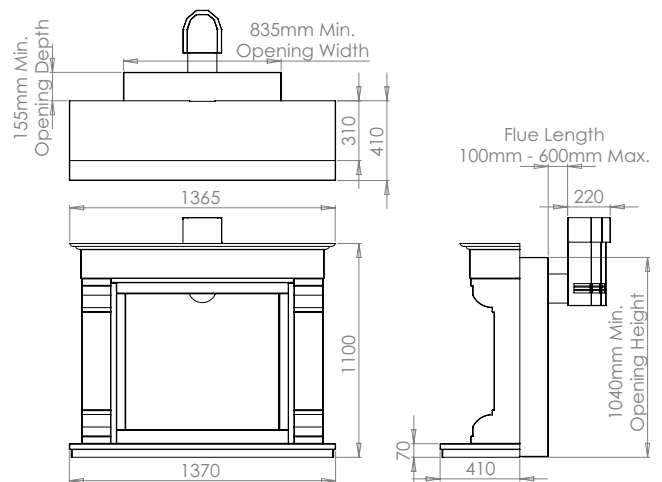
Balmoral Surround



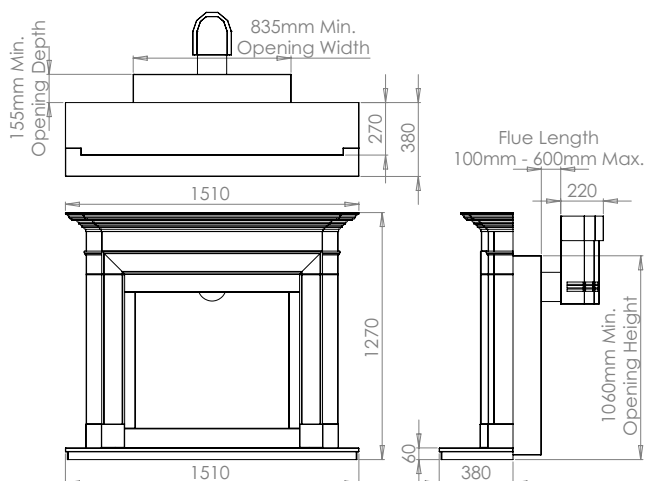
Condover Surround



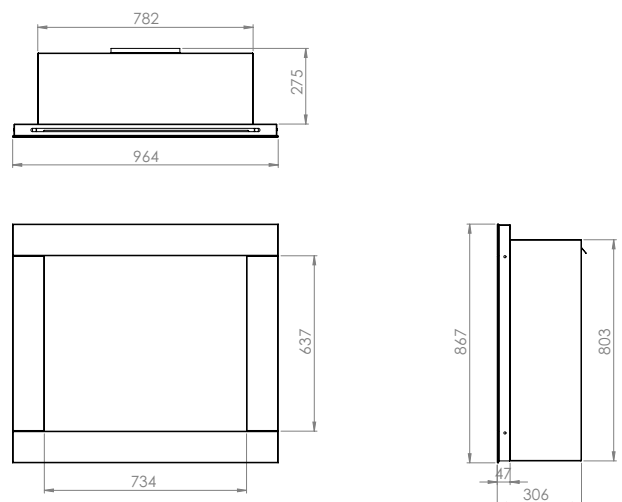
Pontesbury Surround



Stapleton Surround



Glass Fascia



Charlton & Jenrick Company and Product Accreditations

Charlton & Jenrick have made a very substantial investment over the years in obtaining a wide range of accreditations and trade body memberships to ensure that we are consistently offering the best possible products and services to our customers. We not only manufacture appliances but we also put in huge behind-the-scenes efforts to ensure that we input to and keep abreast of impending legislation, standards, product performance and environmental requirements. Currently we subscribe and contribute to the following accreditations:



CE marking of products is mandatory for all fuels today but C&J have always voluntarily achieved this status long before it became a requirement. We always invest in independent testing and certification for Stoves, and Electric and Gas fires of all kinds.



HETAS approval is a national solid fuel appliance certification scheme, recognised by Government, to demonstrate that our solid fuel stoves meet the highest level of quality and performance. It includes areas that are not covered by CE marking. C&J also put their service and sales teams through HETAS solid fuel installer training so their skills are up to scratch.



SIA Ecodesign Ready marking is an independent scheme run by the Stove Industry Alliance to verify and independently demonstrate that wood-burning stoves already meet the strict requirements of the 2022 EU Ecodesign Directive for performance and emissions. HETAS administer this on behalf of the SIA.



HHIC, the Heating and Hot Water Information Council is a trade body representing the UK gas fire industry. As part of the Energy and Utilities Alliance, within the HHIC we have an input into EU and UK standards committees, communicate with Government departments and keep abreast of serious issues affecting the gas fire industry.



SIA, the Stove Industry Alliance is the UK trade body for the solid fuel stove industry. C&J are members of the Executive Committee and currently chair the Technical Committee enabling input into UK and EU standards committees and lines of communication into Government departments and keeping up to date on a wide range of issues affecting the industry.



DEFRA exemption is the mechanism where our wood-burning stoves are checked and certified to comply with the Clean Air Act and therefore allowed to be used in smoke control zones throughout the UK. Involving a strict test programme and independent report, this is then thoroughly assessed by DEFRA advisers before being accepted.



Gas Safe Register is the mandatory national competent persons scheme to allow work on gas fittings and appliances in customers' homes. Our service and most of the sales team have completed the regular training courses and sit the regular exams to ensure our customers have the best support and service.



ISO9001 is the internationally recognised standard for Quality Management Systems which in our case includes the activity of product design and development as well as production, sale and support functions. Annual independent audits and certification ensure continued compliance in producing consistent quality products.



ISO14001 is the internationally recognised standard for Environmental Management Systems. Once again this independently audited and certified system makes sure that we are regularly monitoring and reviewing the impact of the business and its products to ensure we minimise negative impacts and promote best practice.

All Infinity gas fires are manufactured under a BS EN ISO 9001 quality system (registration number 5195), which covers all areas of product design, development, manufacture and service.

Please note: Our policy is one of constant development and improvement. We therefore reserve the right to revise the specification and design of our fires without formal notice. This leaflet is presented as a guide to aid in your decision and does not replace the need for technical assessment by your dealer. While the utmost care was taken in the preparation of this brochure, it is not intended to replace the installation manual which provides more detailed information. Photography is for illustration purposes only and does not replace the need to see the fires in a showroom. We accept no liability for any loss or damage arising either directly or indirectly from the use of this brochure. **All designs in this brochure are design or copyright registered. Infinity, without exception, will take action against any infringements of its designs.**



Charlton & Jenrick^{LTD}

Best of British fires, fireplaces & stoves



Infinity Fires

Charlton & Jenrick Ltd, Unit D,
Stafford Park 2, Telford, Shropshire TF3 3AR
Tel: 0845 519 5991 Fax: 0845 519 5992
e-mail: sales@charltonandjenrick.co.uk

www.charltonandjenrick.co.uk

CONNECT WITH US:

