



ST<sup>™</sup>  
saltfire



# Introduction

Saltfire's 'ST' range is a selection of precision engineered high efficiency Ultra-Clean-burning stoves. The results of thousands of hours research and development at our dedicated solid fuel research centre in Dorset. Saltfire engineers have been hard at work reducing smoke emissions these past few years, 'ST' stoves also feature extremely low CO, NOx, particle and Hydro-Carbon emissions. This advanced Clean-Burn technology is a huge leap forward for wood burners.

Designed for maximum efficiency and extremely clean-burning, all 'ST' models are certified with DEFRA for use in Smoke Control Areas in the UK and are all EcoDesign 2022 compliant.

The ST-X hybrid range incorporate the benefits of both heavy cast iron components and thick steel outer body which is up to 10mm thick. Available in three kW sizes and now also all available in our new taller and slimline options. They have an amazing clean burn control and airwash for Ultra-Clean glass - We challenge any other stove brands to produce cleaner glass.

All are simple to operate and easy to maintain. All incorporate an advanced 'After-Burner' system for Super-Cleanburning and amazing flame pattern. Hot Air-Wash for clean glass and views of the fire as standard. We keep all models in stock at our factory warehouse in Dorset and can supply in a range of colours.



All Saltfire ST Stoves are **EcoDesign** Ready



# ST1/ST1 VISION

Designed with simple, easy to operate user friendly controls. Constructed using a triple-layer body, there is a precision engineered welded outer and inner steel body (air gap between layers) with thermo-refractory fire brick inner linings.

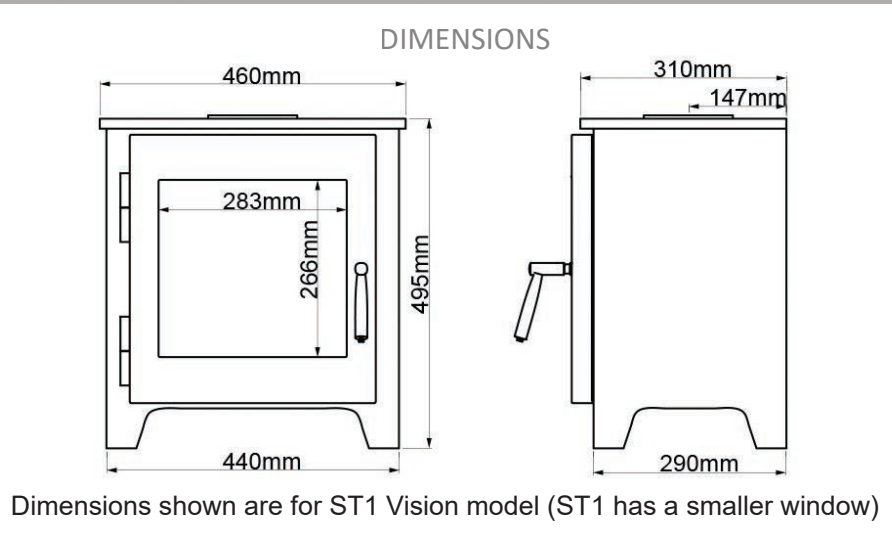
Designed with a large viewing window for amazing views of the fire. The flame pattern with the advanced “after-burner” system is quite unique.

The air-wash clean glass system is particularly impressive.

The ST1 Vision is a larger door/window version of the original ST1 model and are both dedicated wood burners only.

## Key Features

Nominal Heat Output	5 kW
High Efficiency	✓ 78.7%
Wood burning	✓
Eco Design 2022 Ready	✓
Optimum Heat Output Range	1 to 5kW
Advanced Airwash	✓
Maximum Log Length	12"(300mm)
Ultra Clean Burn	✓
DEFRA Exempt for Smokeless Zones	✓
Large View Ceramic Glass	✓
Other colours available	✓
Flue Outlet Top	5"(125mm)
Room Vent Not Normally Needed	✓
Suitable for Use on 12mm Hearth	✓
Fire brick lined	✓
5 Year Guarantee	✓



# ST2

The Saltfire ST2 is a great looking modern design ultra-clean-burning wood and multi-fuel stove.

Designed with simple, easy to operate user friendly controls. Constructed using a triple-layer convection system, there is a precision engineered welded outer and inner steel body with thermo-refractory fire brick inner linings.

The ST2 is a multi-fuel stove able to burn wood logs and smokeless coal - the coal ashes will fall through the grate and into the ash pan which easily lifts out when full.

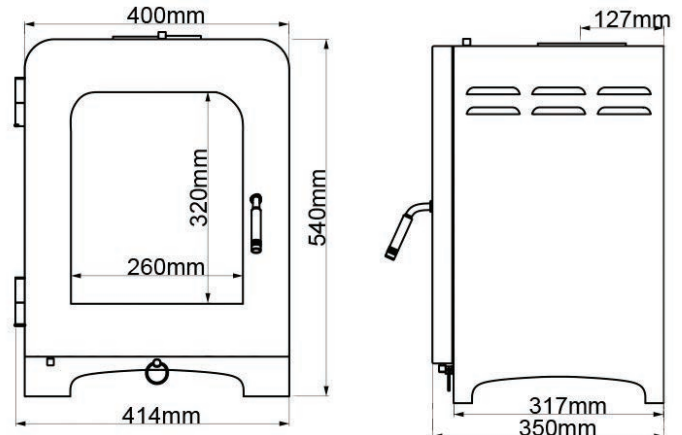
There is an air-wash system to help keep the glass clearer.

## Key Features

Nominal Heat Output	5kW
High Efficiency	✓ 79.2%
Multifuel Ready	✓
Eco Design 2022 Ready	✓
Optimum Heat Output Range	1 to 5kW
Advanced Airwash	✓
Maximum Log Length	12"(300mm)
Ultra Clean Burn	✓
DEFRA Exempt for Smokeless Zones	✓
Large View Ceramic Glass	✓
Other colours available	✓
Flue Outlet Top	5"(125mm)
Room Vent Not Normally Needed	✓
Suitable for Use on 12mm Hearth	✓
Fire brick lined	✓
5 Year Guarantee	✓



## DIMENSIONS



# ST3

Designed with simple, easy to operate user friendly controls. Constructed using a triple-layer body, there is a precision engineered welded outer and inner steel body (air gap between layers) with thermo-refractory fire brick inner linings.

Designed with a large viewing window for amazing views of the fire. The flame pattern with the advanced "after-burner" system is quite unique.

The air-wash clean glass system is particularly impressive.

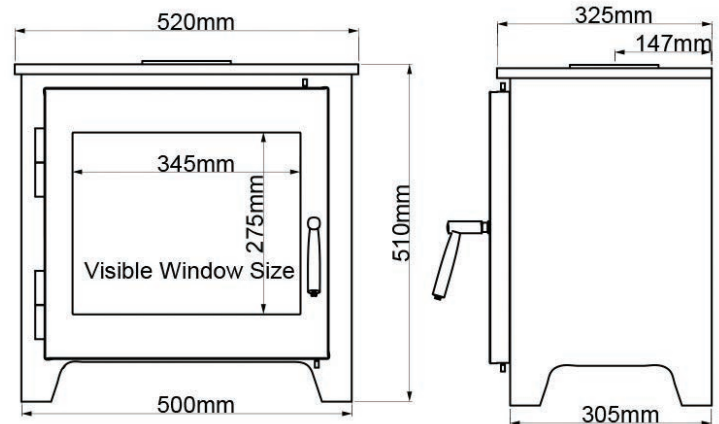
The ST3 is a dedicated wood burner only

## Key Features

Nominal Heat Output	7.3kW
High Efficiency	✓ 76.3%
Wood burning	✓
Eco Design 2022 Ready	✓
Optimum Heat Output Range	2 to 7.5kW
Advanced Airwash	✓
Maximum Log Length	15"(360mm)
Ultra Clean Burn	✓
DEFRA Exempt for Smokeless Zones	✓
Large View Ceramic Glass	✓
Other colours available	✓
Flue Outlet Top	5"(125mm)
Fire brick lined	✓
Suitable for Use on 12mm Hearth	✓
5 Year Guarantee	✓



## DIMENSIONS



# ST4

The Saltfire ST4 is the larger version of the popular ST2 - and is a great looking modern design ultra-clean-burning wood and multi-fuel stove.

Designed with simple, easy to operate user friendly controls. Constructed using a triple-layer convection system, there is a precision engineered welded outer and inner steel body with thermo-refractory fire brick inner linings.

The ST4 is a multi-fuel stove able to burn wood logs and smokeless coal - the coal ashes will fall through the grate and into the ash pan which easily lifts out when full.

There is an air-wash system to help keep the glass clearer.

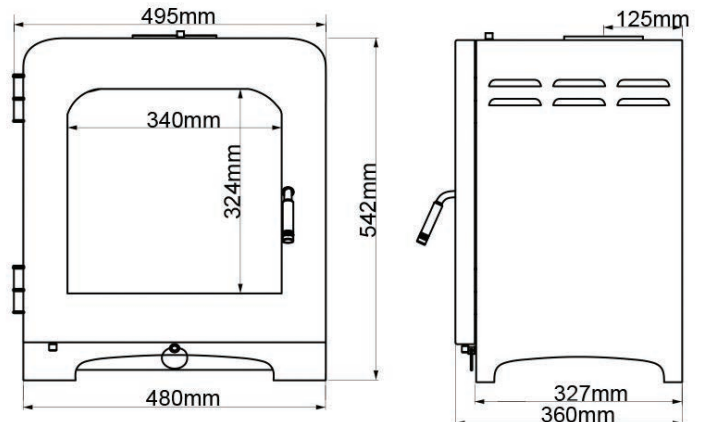
The ST4 has a removable baffle plate to allow cleaning access to the flue.

## Key Features

Nominal Heat Output	7.2 kW
High Efficiency	✓ 76.7%
Multifuel Ready	✓
Eco Design 2022 Ready	✓
Optimum Heat Output Range	2 to 7.5kW
Advanced Airwash	✓
Maximum Log Length	15"(360mm)
Ultra Clean Burn	✓
DEFRA Exempt for Smokeless Zones	✓
Large View Ceramic Glass	✓
Other colours available	✓
Flue Outlet Top	5"(125mm)
Fire brick lined	✓
Need Constructional Hearth	✓
5 Year Guarantee	✓



## DIMENSIONS





### Key Features

Nominal Heat Output	4.2 kW
High Efficiency	✓ 76.1%
Multifuel Ready	✓
Eco Design 2022 Ready	✓
Optimum Heat Output Range	1 to 5kW
Advanced Airwash	✓
Maximum Log Length	10"(270mm)
Ultra Clean Burn	✓
DEFRA Exempt for Smokeless Zones	✓
Large View Ceramic Glass	✓
Other colours available	✓
Flue Outlet Top or Rear	5"(125mm)
Room Vent Not Normally Needed	✓
Fire brick lined	✓
Suitable for a 12mm Hearth	✓
5 Year Guarantee	✓

# ST-X4

## Available in short and tall options

Constructed from a precision-welded thick steel body with cast iron door and thermo-refractory fire brick inner linings.

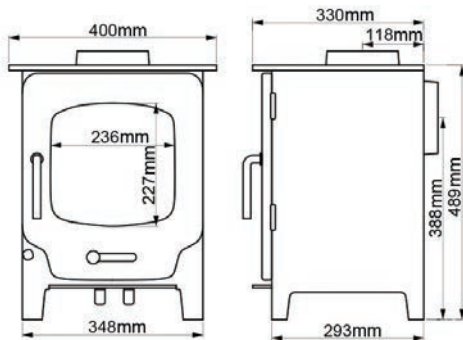
Many times cleaner than the required standard for "DEFRA" exemption, it can legally be used anywhere in the UK including the strictest of smoke control zones.

Designed with simple, easy to operate user friendly controls, has a large viewing window for amazing views of the fire. The flame pattern with the advanced "after-burner" system is quite unique.

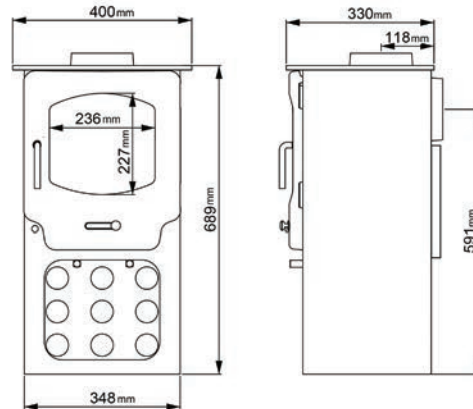
The ST-X4 is a multi-fuel stove able to efficiently burn wood logs or smokeless coal - the coal ashes will fall through the grate and into the ash pan which easily lifts out when full.

There is an air-wash system to help keep the glass clearer.

### SHORT DIMENSIONS



### TALL DIMENSIONS







### Key Features

Nominal Heat Output	5.0 kW
High Efficiency	✓ 81.8%
Multifuel Ready	✓
Eco Design 2022 Ready	✓
Optimum Heat Output Range	2 to 8kW
Advanced Airwash	✓
Maximum Log Length	12"(320mm)
Ultra Clean Burn	✓
DEFRA Exempt for Smokeless Zones	✓
Large View Ceramic Glass	✓
Other colours available	✓
Flue Outlet Top or Rear	5"(125mm)
Room Vent Not Normally Needed	✓
Suitable for Use on 12mm Hearth	✓
Fire brick lined	✓
5 Year Guarantee	✓

# ST-X5

## Available in short and tall options

The ST-X5 has a particularly large firebox for a 5kW model allowing a greater range of heat output and for larger logs to be burned.

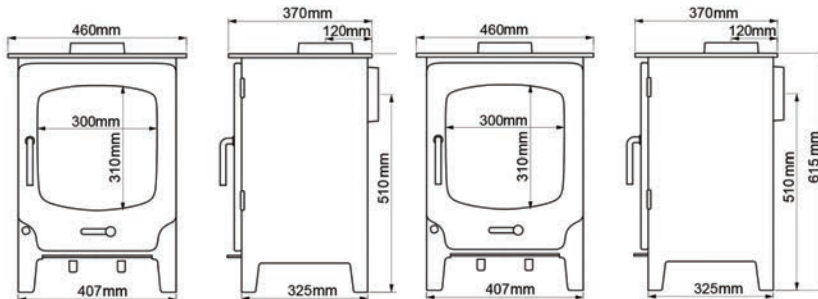
Constructed from a precision-welded thick steel body with cast iron door and thermo-refractory fire brick inner linings. Many times cleaner than the required standard for "DEFRA" exemption, it can legally be used anywhere in the UK including the strictest of smoke control zones.

Designed with simple, easy to operate user friendly controls, has a large viewing window for amazing views of the fire. The flame pattern with the advanced "after-burner" system is quite unique.

The ST-X5 is a multi-fuel stove able to efficiently burn wood logs or smokeless coal - the coal ashes will fall through the grate and into the ash pan which easily lifts out when full.

### SHORT DIMENSIONS

### TALL DIMENSIONS





### Key Features

Nominal Heat Output	8 kW
High Efficiency	✓ 80.5%
Multifuel Ready	✓
Eco Design 2022 Ready	✓
Optimum Heat Output Range	3 to 10kW
Advanced Airwash	✓
Maximum Log Length	14"(360mm)
Ultra Clean Burn	✓
DEFRA Exempt for Smokeless Zones	✓
Large View Ceramic Glass	✓
Other colours available	✓
Flue Outlet Top or Rear	5"(125mm)
Fire brick lined	✓
Suitable for Use on 12mm Hearth	✓
5 Year Guarantee	✓

# ST-X8

## Available in short and tall options

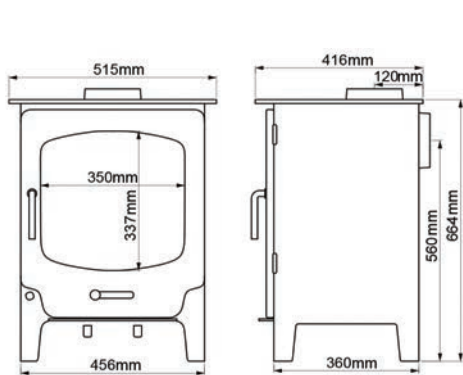
The ST-X8 has a large firebox allowing a greater range of heat output and for larger logs to be burned. Constructed from a precision-welded thick steel body with cast iron door and thermo-refractory fire brick inner linings.

Many times cleaner than the required standard for "DEFRA" exemption, it can legally be used anywhere in the UK including the strictest of smoke control zones.

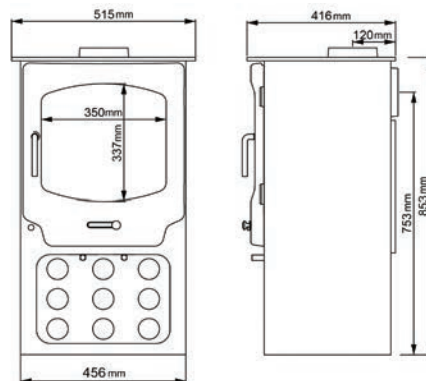
Designed with simple, easy to operate user friendly controls, has a viewing window for amazing views of the fire. The flame pattern with the advanced "after-burner" system is quite unique.

The ST-X8 is a multi-fuel stove able to efficiently burn wood logs or smokeless coal - the coal ashes will fall through the grate and into the ash pan which easily lifts out when full.

### SHORT DIMENSIONS



### TALL DIMENSIONS





### Key Features

Nominal Heat Output	5kW
High Efficiency	✓78.9%
Wood burner with optional multi-fuel kit	✓
Eco Design 2022 Ready	✓
Optimum Heat Output Range	2 to 7kW
Advanced Airwash	✓
Maximum Log Length	16" (400mm)
Ultra Clean Burn	✓
DEFRA Exempt for Smokeless Zones	✓
Large View Ceramic Glass	✓
Other colours available	✓
Flue Outlet Top or Rear	5" (125mm)
Fire brick lined	✓
Suitable for Use on 12mm Hearth	✓
5 Year Guarantee	✓

# ST-X Wide

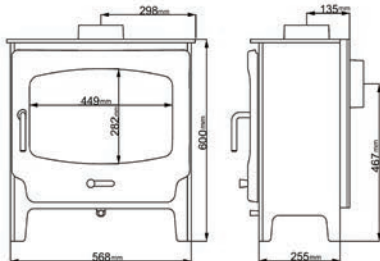
## Available in short and tall options

The ST-X Wide is designed to give the widest width and view of the fire whilst keeping the nominal rated output at 5kW.

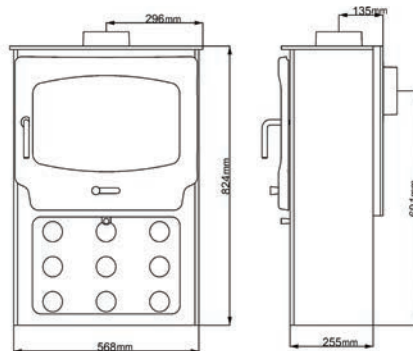
As one of the widest 5kW stoves available in the UK, there are few rivals in this category. The depth is reduced allowing for easier insertion into shallow fire places or less intrusion into the room when free standing against a wall.

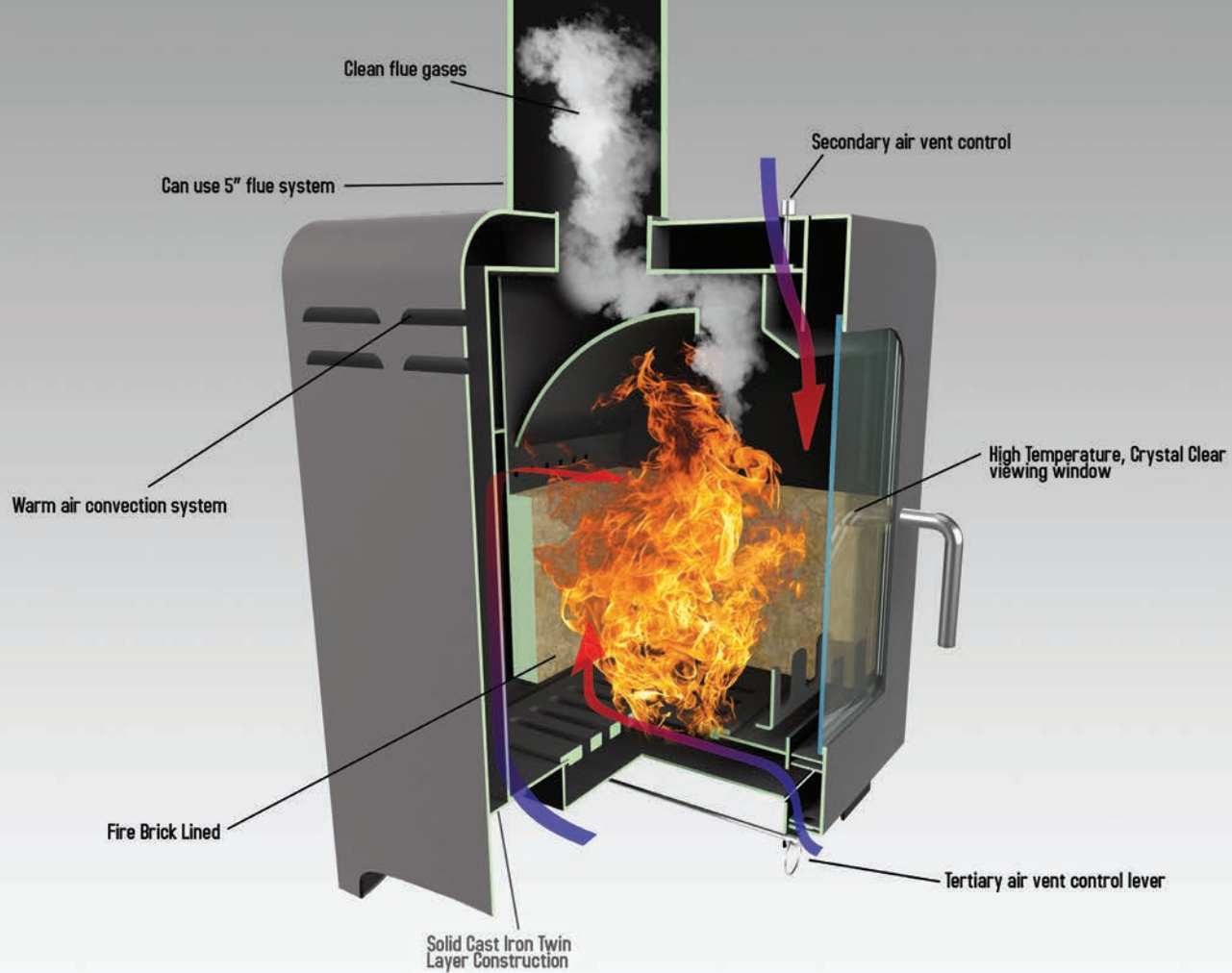
At the same time the wide firebox is retained allowing for longer logs to be used.

### SHORT DIMENSIONS



### TALL DIMENSIONS





# Technical Specification

(ST2 model illustrated)

# colours

All models are available in a variety of colours to order.

Simply add colour choice to the end of the model name when ordering with your supplier. -  
(If no colour is specified we would supply standard Metallic Black.)

(Colours shown are for representation only and printed brochure may vary slightly from actual colours).



**'Metallic Black'** - Classic black with subtle metallic fleck adding depth of colour.



**'Charcoal Grey'** - Quite a dark grey a few shades under Metallic Black.



**'Light Grey'** - Just as it sounds.



**'Mojave Red'** - A deepish vibrant red.

# Burnished Door

(Available on ST-X Models only)

The cast iron door is finished by hand with various polishing tools and abrasives to give a truly unique bare-metal look, then coated with a clear protective surface - no two are ever the same. Parts of the door over time will then change through many different hues of subtle blues and purples as the stove is heated.



# Peanut

by

## Saltfire



Peanut 3



Peanut 5



Bignut 5



Peanut 8

## The Saltfire Peanut Range DEFRA + EcoDesign

For more information pick up a Peanut brochure in showrooms now





**saltfire<sup>tm</sup>**  
woodburning stoves

[www.saltfire.co.uk](http://www.saltfire.co.uk) - Tel: 01929 555211 - Email: [sales@saltfire.co.uk](mailto:sales@saltfire.co.uk)